

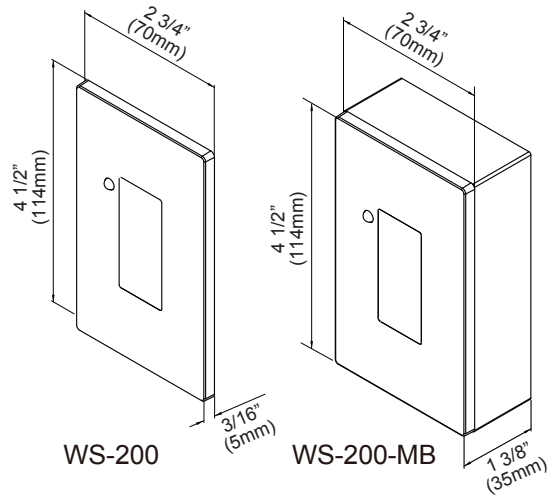
WS Series - Infrared Sensor Exit Device

Features

1. ANSI size faceplate
2. Infrared sensor adapts to any environment
3. 3 15/16" (10cm) proximity range
4. Suitable for any access control units
5. Safe circuit design in case of power failure or emergency exit

Specifications

- Operating Voltage: 12~24VDC
- Current Draw: Holding: 60mA/12VDC, Pull in: 50mA/12VDC
Holding: 40mA/24VDC, Pull in: 30mA/24VDC
- Relay Timer: 0.5, 5, 10, 20 Seconds
- Sensor Range: Up to 3 15/16" (10cm) [18% gray reflection]
- Relay Rating: 3A/125VAC/30VDC
- Faceplate Material: Stainless Steel
- Operating Temperature: -20~+70°C
- Ambient Humidity: 5~95% relative humidity non-condensing
- Visual Signals: Bi-color LED display with audible indication



Relay Timer:

- ■ ■ ■ 0.5 seconds
- □ ■ ■ 5 seconds
- ■ □ □ 10 seconds
- □ □ □ 20 seconds

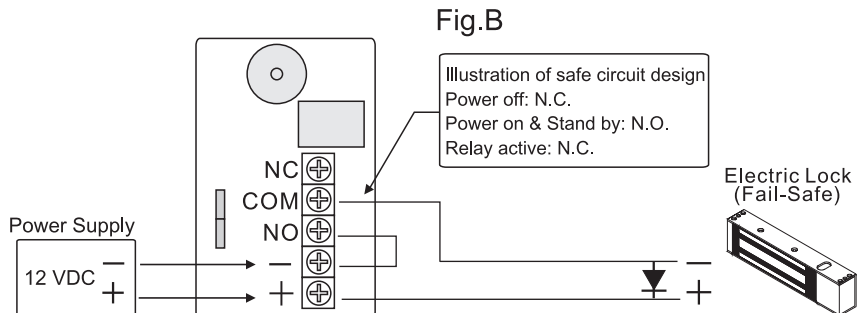
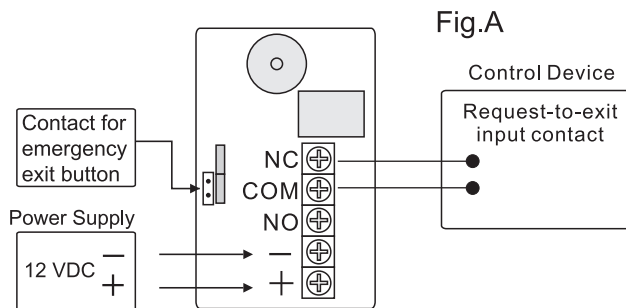
Application & Installation

The WS-200 Infrared Sensor Exit Device and access control package have many different ways of connection, and the diagrams below illustrate two recommended ways of connection.

In Fig.A, WS-200 connects to the Request-to-exit input contact. Relay strike time can be set as 0.5 seconds.

In Fig.B, WS-200 controls a fail-safe locking device. If it controls a fail-secure lock, the contact is N.O. Relay strike time is door opening time.

Note: To avoid burning when WS-200 controls an electric lock, please pay attention to the limit of relay rating: 3A/125VAC/VDC.



For details regarding the limited warranty:

Customer Service

1-877-671-7011

www.allegion.com/us

LOCKNETICS

ALLEGION

© Allegion 2017
47259500 Rev 10/17-a