

WP3**NEMA Rated Outdoor Power Supply/Battery Enclosure**

Altronix WP3 is a UL Listed, NEMA 4/IP 66 Rated outdoor power supply/battery and accessory enclosure with a metal backplane. It can accommodate a wide variety of Altronix power supplies, sub-assemblies, and other accessories.



WP3

Specifications**Features**

- Lightweight molded fiberglass reinforced polyester enclosure is corrosion resistant and does not contain halogens.
- Lockable stainless steel latches.
- Integral flanges simplify wall or pole mounting.
- Includes metal backplane for mounting power and accessories.

Capacity

- Fits two (2) 12VDC/7AH batteries.

Agency Listings

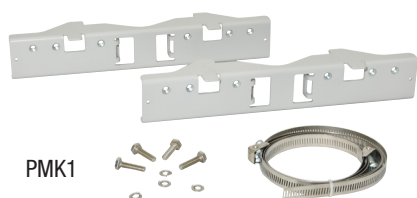
UL Listed Enclosure.
CE European Conformity.

Physical and Environmental**Dimensions (H x W x D)**

13.3" x 11.3" x 5.6" (338.1mm x 287.3mm x 142mm).

Product Weight 7.0 lb. (3.18 kg).

Shipping Weight 8.3 lb. (3.76 kg).

Accessories (order separately)**PMK1 Pole Mount Kit (order separately)**

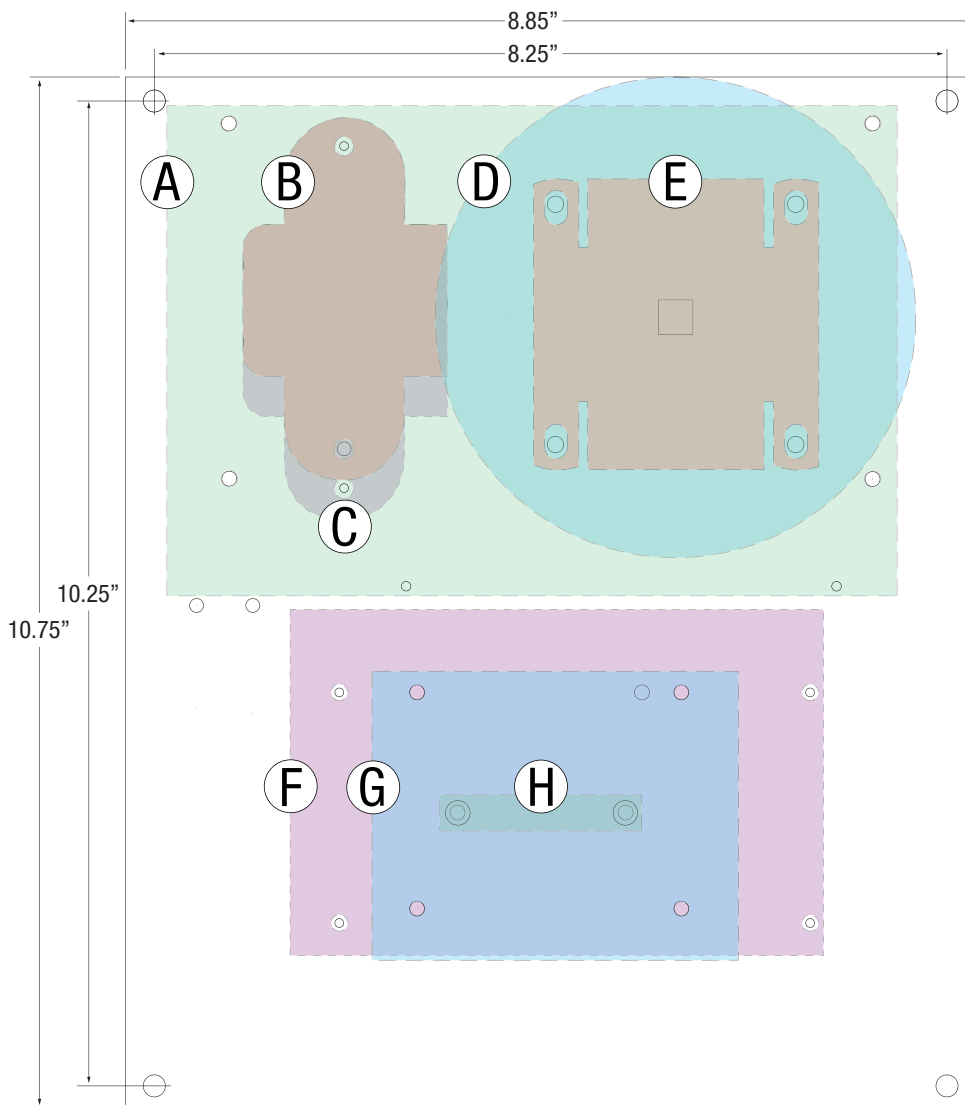
PMK1 pole mount kit is designed to simplify installation of outdoor units. It accommodates 2" - 8" (diameter) poles.

Kit includes:

- Two (2) powder coated steel mount brackets.
- Four (4) stainless steel bolts and lock washers.
- Two (2) wormgear quick release straps.

Product Position Chart for the Following Models:

Altronix Products	Mounting
ACM8, ACM8CB, ACMS8, ACMS8CB, AL300ULXB, AL400ULXB2, AL600ULXB, AL1012ULXB, AL1024ULXB2, eFlow3NB, eFlow4NB, eFlow6NB, eFlow102NB, eFlow104NB, LINQ8ACM, LINQ8ACMCB, OLS75, OLS120, OLS120D2, OLS180, OLS250	(A)
T1656, T2856	(B)
T1250, T12100, T16100, T1618100	(C)
T1618300, T2428300, T2428300220, T2428300277	(D)
T1224150, T2428175	(E)
ACM4, ACM4CB, AL175ULB, LINQ8PD, LINQ8PDCB, MOM5, PD4UL, PD4ULCB, PD8UL, PD8ULCB, PDS8, PDS8CB	(F)
OLS20, SMP3, SMP5	(G)
Three Position Terminal Strip	(H)



WP3

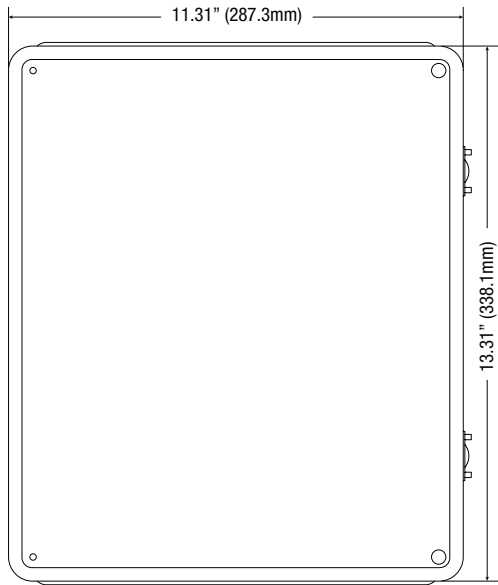
NEMA Rated Outdoor Power Supply/Battery Enclosure

Dimensions and Drawing

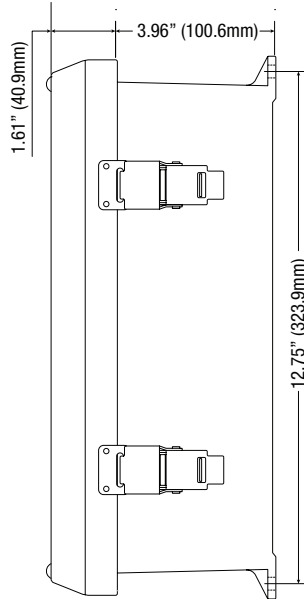
Dimensions (H x W x D approximate)

13.3" x 11.3" x 5.6" (338.1mm x 287.3mm x 142mm)

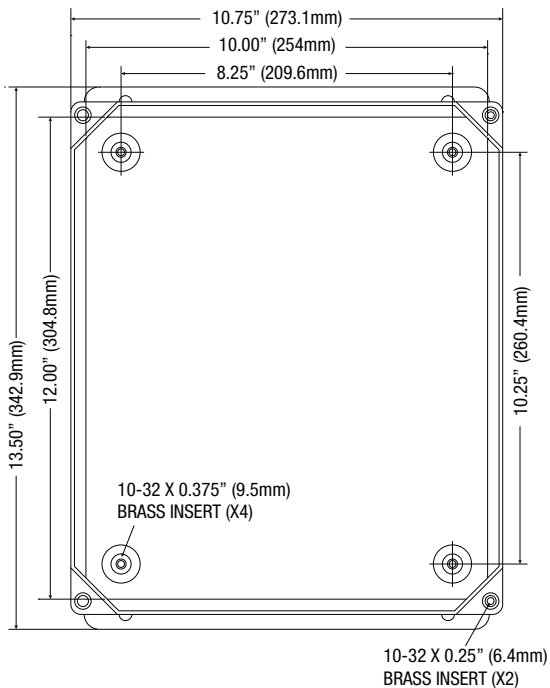
FRONT VIEW



RIGHT SIDE VIEW



FRONT VIEW COVER REMOVED



END VIEW

