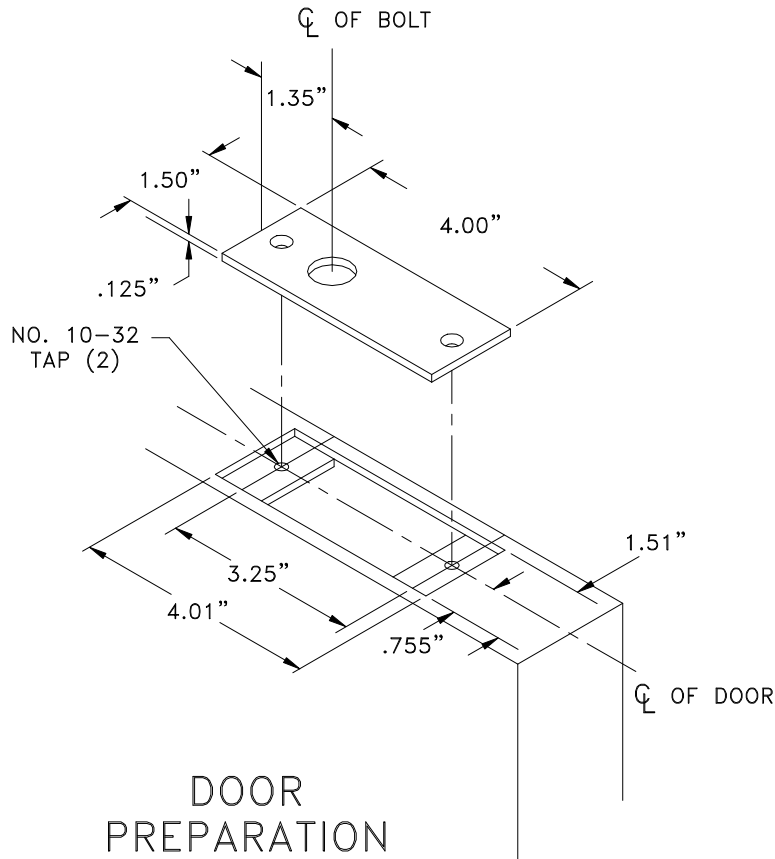
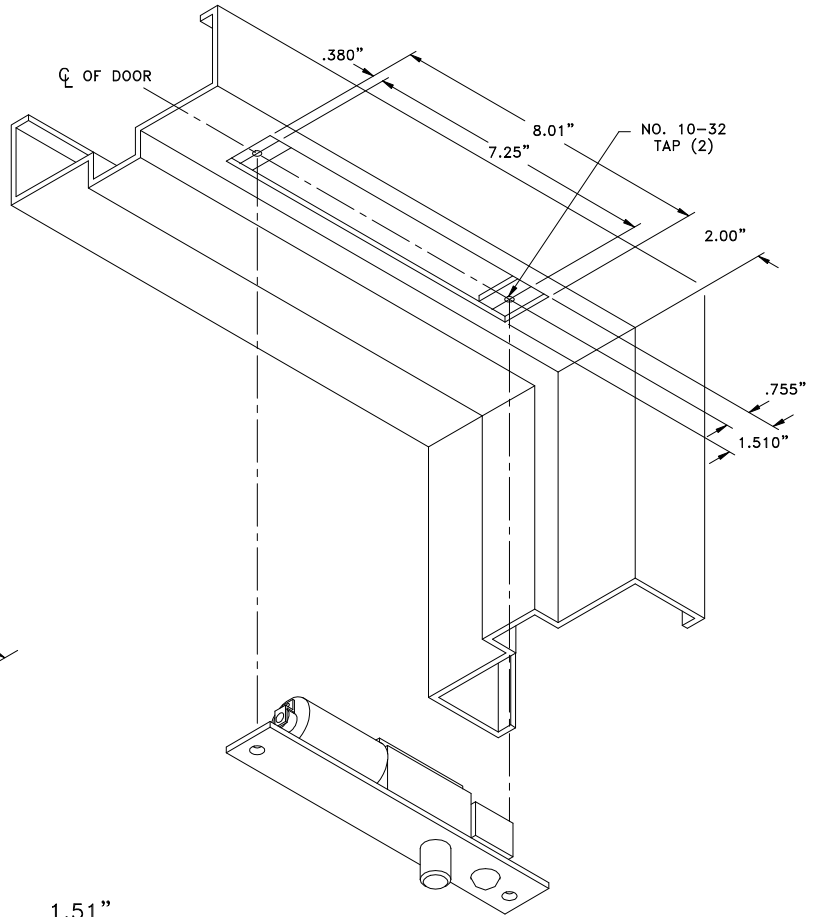


NOTE: FOR WOOD INSTALLATION CONSULT FACTORY.
NOTE: TEMPLATE DIMENSIONS ARE SUBJECT TO CHANGE WITHOUT NOTICE.



TECHNICAL DATA (FOR STANDARD UNIT)

FACE PLATE: 8" x 1-1/2" x 1/8"

STRIKE: 4" x 1-1/2" x 1/8"

ID REQUIREMENTS: 8" x 1-1/2" x 1-1/2"

BOLT: 3/4" DIA. SOLID STAINLESS STEEL

BOLT THROW: 3/4", ROTATING

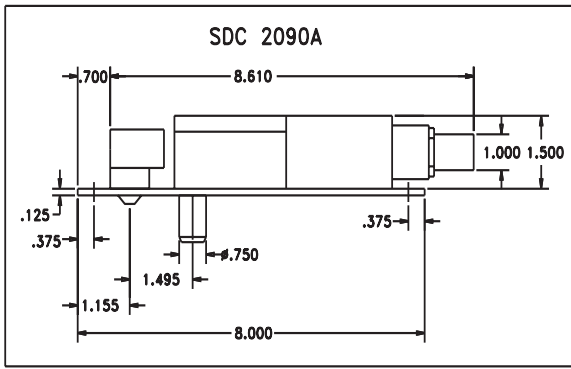


Security Door Controls
 3580 Willow Lane
 Westlake Village, CA 91359
 (805) 494-0622
 Fax: (805) 494-8861
 www.sdcsecurity.com
 E-mail: service@sdcsecurity.com

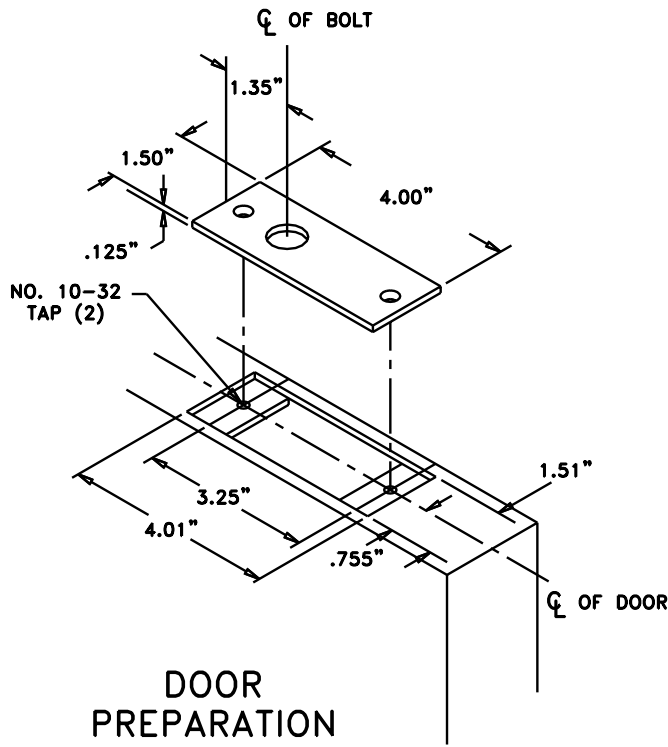
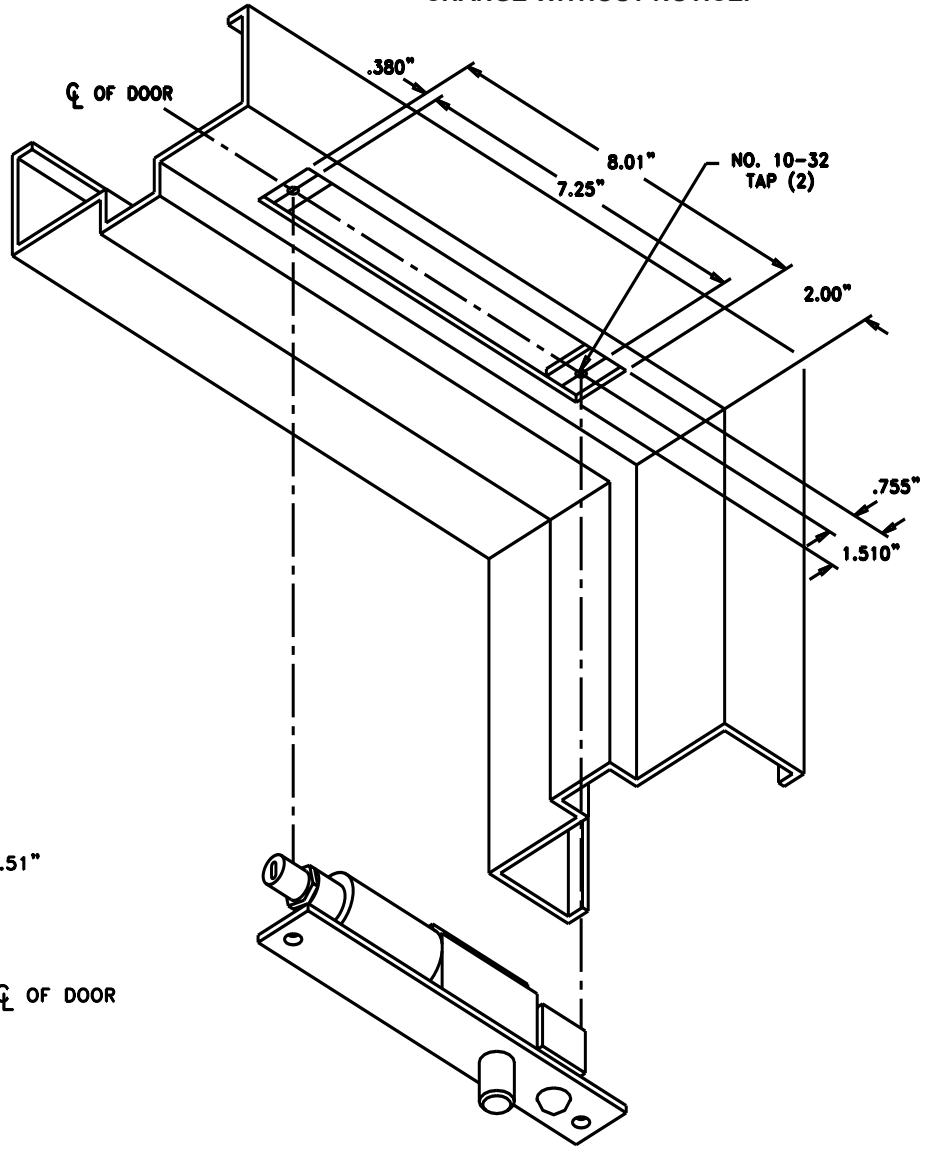
**TEMPLATE
 1190A**

ORIG. DATE
 03-19-01

DRAWING
 3293



NOTE: TEMPLATE DIMENSIONS ARE SUBJECT TO CHANGE WITHOUT NOTICE.



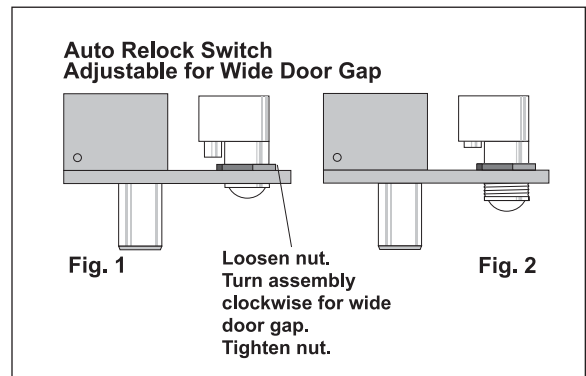
TECHNICAL DATA (for standard unit)

- FACE PLATE:** 8" X 1 1/2" X 1/8"
- STRIKE:** 4" X 1 1/2" X 1/8"
- ID REQUIREMENTS:** 10" X 1 1/2" X 1 1/2"
- FINISH:** US28 STANDARD (PLATED FINISHES OPTIONAL)
- BOLT:** 3/4" DIA. SOLID STAINLESS STEEL
- BOLT THROW:** 3/4", ROTATING
- FAIL-SECURE - UNLOCKED WHEN ENERGIZED**
- AUTO RELOCK SWITCH:** ADJUSTABLE BALL TYPE
- SOLENOID:** CONTINUOUS DUTY

ELECTRICAL DATA:

INRUSH 90 WATTS - 3.7 AMPS MAX
 SEATED 12 WATTS - .5 AMP MAX @ 24VDC
 A RECTIFIER IS SUPPLIED FOR AC OPERATION
 (SPECIFY VOLTAGE REQUIRED)

STATUS SENSORS: BOLT AND DOOR POSITION (OPTIONAL)



Security Door Controls
 3580 Willow Lane
 Westlake Village, CA 91359
 (805) 494-0622
 Fax: (805) 494-8861
 www.sdcsecurity.com
 E-mail: service@sdcsecurity.com

**TEMPLATE
 2090A**

DATE
 3/19/01

DRAWING
 3292