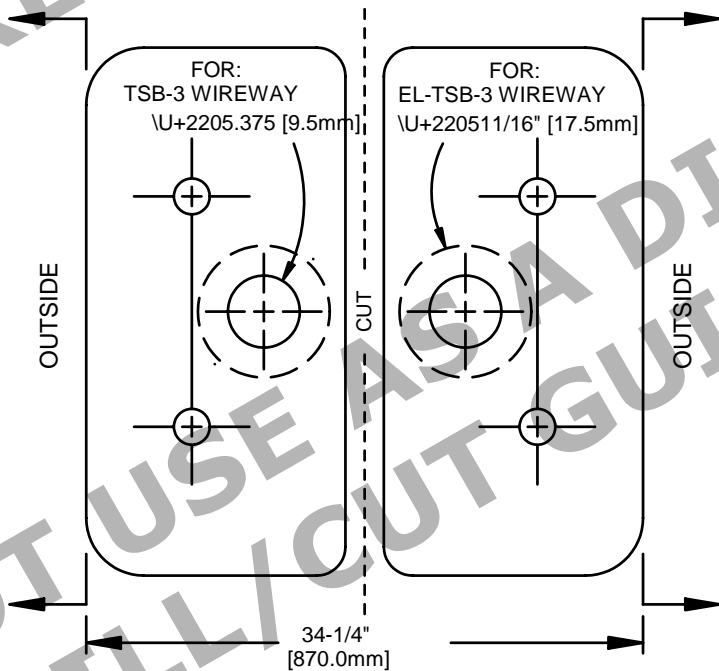


FOR REFERENCE ONLY

TSB-3 TEMPLATE



DISTANCE SHOWN REPRESENTS 36" [914.4mm] TOUCH BAR

ADD: 6" [152.4mm] FOR A 42" [1066.8mm] BAR

ADD: 12" [304.8mm] FOR A 48" [1219.2mm] BAR

P/N 490-18100-B

DO NOT USE AS A DIRECT DRILL/CUT GUIDE

NOT TO SCALE