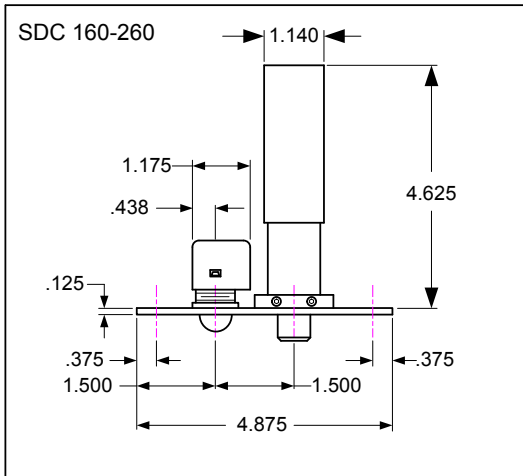
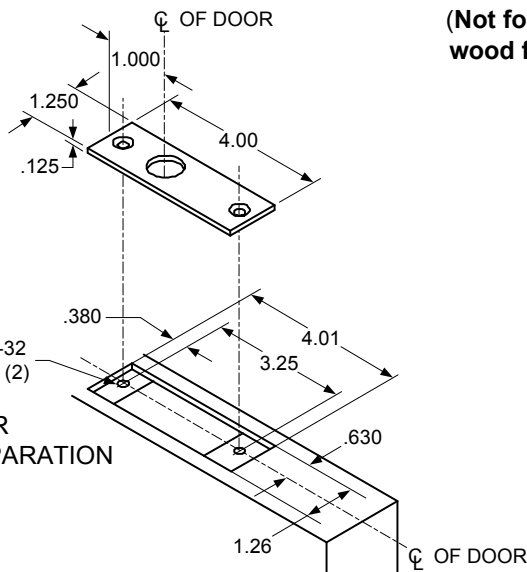
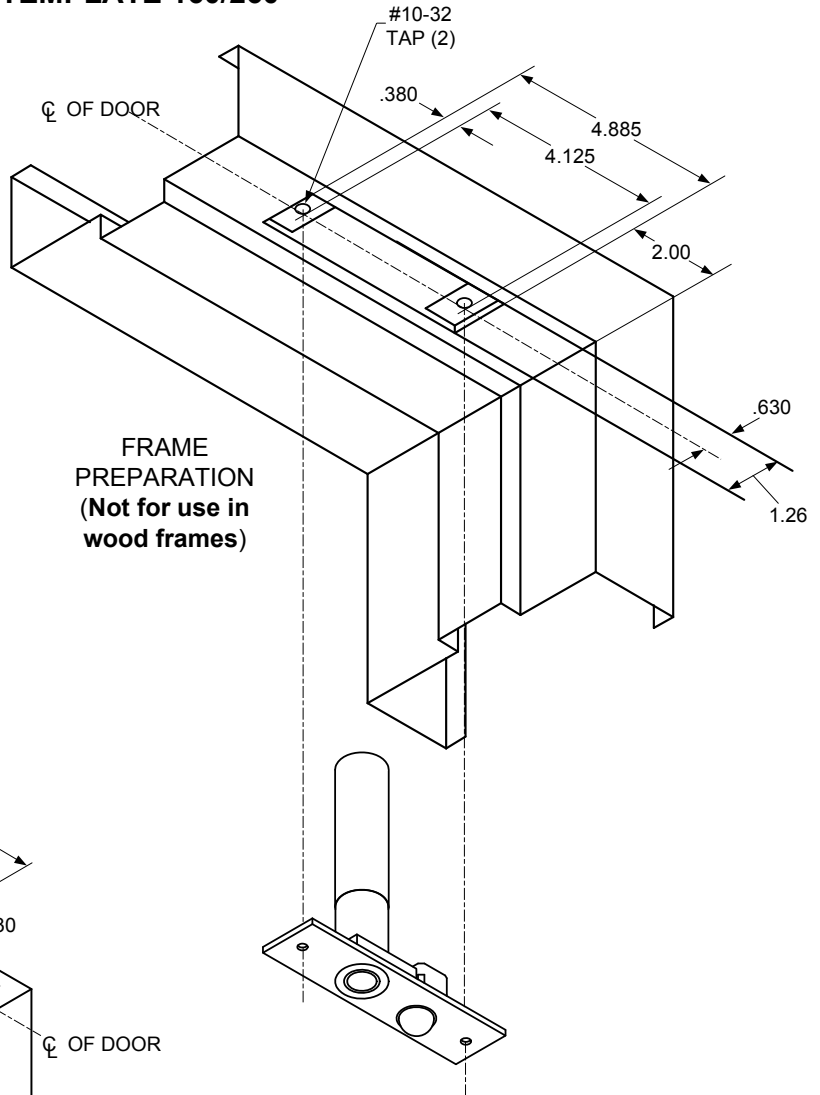


SDC Security Door Controls

801 Avenida Acaso, Camarillo, Ca. 93012 • (805) 494-0622 •
 www.sdcsecurity.com • E-mail: service@sdsecurity.com

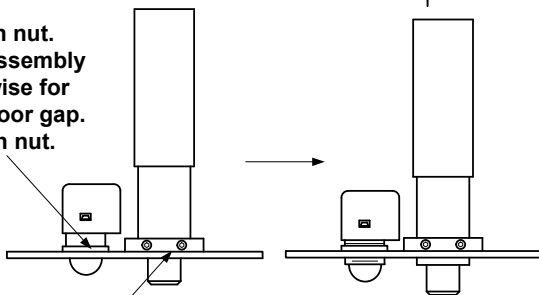


TEMPLATE 160/260



Auto Relock Switch (ARS) & Bolt
Adjustable for Wide Door Gap

Loosen nut.
Turn assembly
clockwise for
wide door gap.
Tighten nut.



Loosen Set
Screws to
move Bolt
Chamber.

NOTE: TEMPLATE DIMENSIONS ARE SUBJECT
TO CHANGE WITHOUT NOTICE.

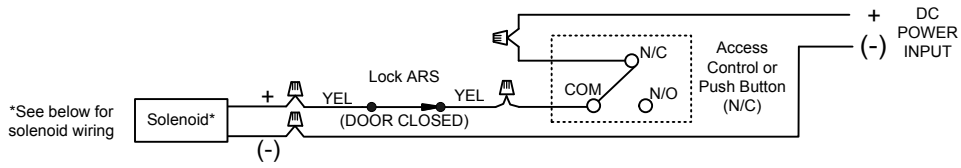
TECHNICAL DATA (FOR STANDARD UNIT)

- FACE PLATE: 4-7/8" x 1-1/4" x 1/8"
- STRIKE: 4" x 1-1/4" x 1/8"
- ID REQUIREMENTS: 4-7/8" x 1-1/4" x 4-5/8"
- BOLT: 1/2" DIA. STAINLESS STEEL
- BOLT THROW: 1/2" ROTATING, ADJUSTABLE FOR WIDE GAP
- 160: FAIL-SAFE – LOCKED WHEN ENERGIZED
- 260: FAIL-SECURE – UNLOCKED WHEN ENERGIZED
- SOLENOID: CONTINUOUS DUTY
- AUTO RELOCK SWITCH: ADJUSTABLE BALL PLUNGER TYPE

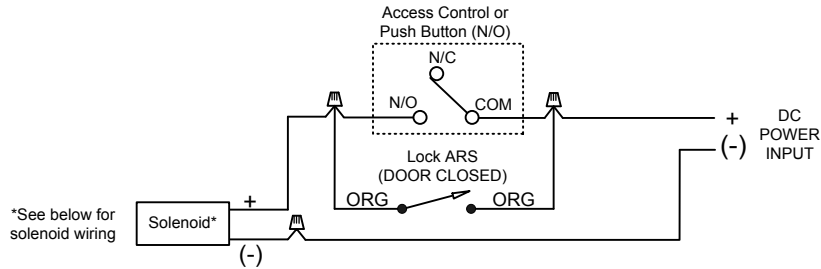
Any suggestions or comments to this instruction or product are welcome. Please contact us through our website or email engineer@sdsecurity.com

LOCK WIRING

160 (Standard wiring):

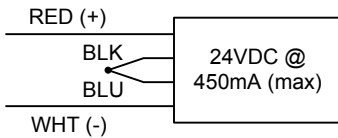


260 (Standard wiring):

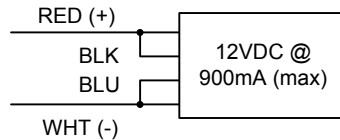


Solenoid Voltage Configuration:

24VDC SOLENOID CONFIGURATION



12VDC SOLENOID CONFIGURATION



ELECTRICAL DATA:
Dual Voltage (110/210)
 12VDC @ .9 Amp (max.)
 24VDC @ .45 Amp (max.)
Continuous Duty