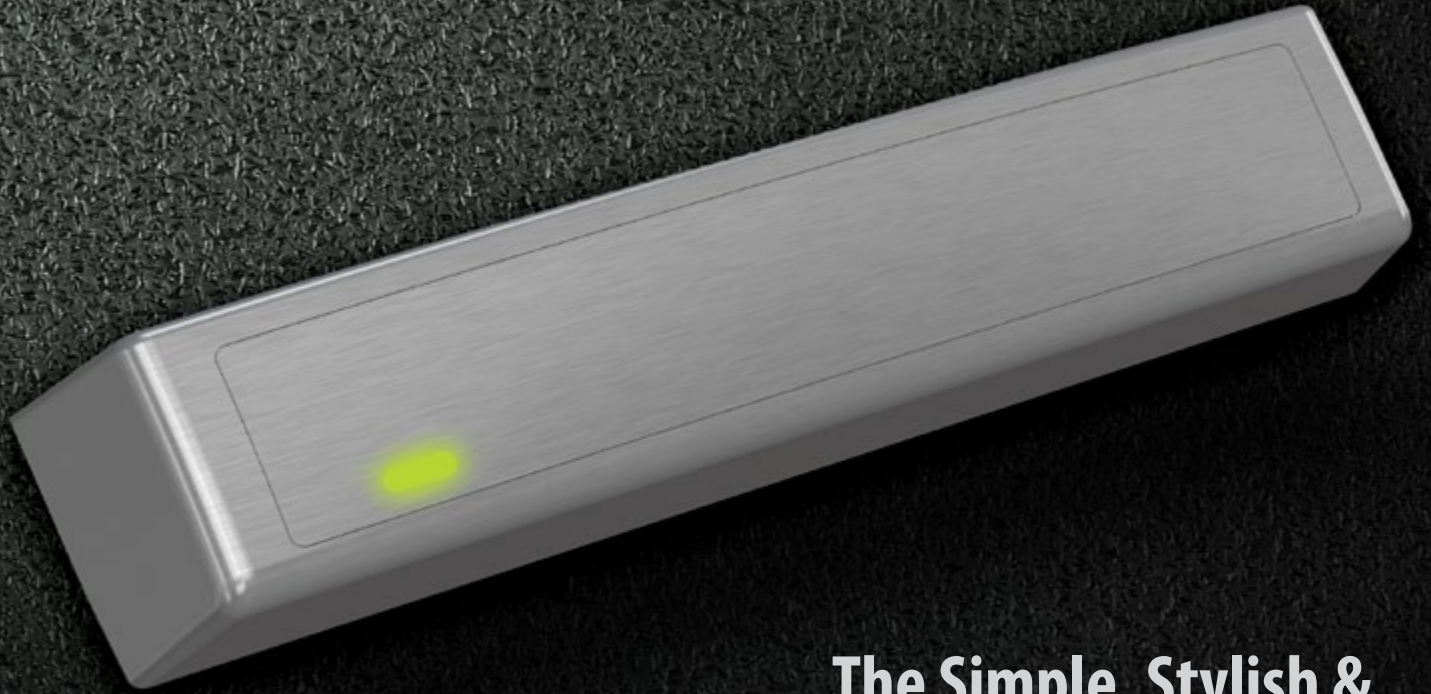


SECURITRON
ASSA ABLOY



**The Simple, Stylish &
Secure Magnalock®**

M670 SERIES

Style. The aesthetics of the M670 are refined enough for the most discriminating designer openings.

Easy installation. The fastest, easiest, most secure installation of any bracket-mount maglock.

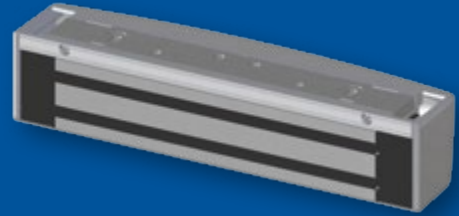


1.800.MAGLOCK | [SECURITRON.COM](https://www.securitron.com)

ASSA ABLOY, the global leader in door opening solutions

M670 SERIES

Low Profile Magnalock



Certifications:

- UL 10C Listed
- CAN4-S104, CAN/ULC Listed
- UL 1034 Burglary-Resistant Listed
- CSFM- California State Fire Marshal Listed

Holding Force:

1100 lbs

Dimensions:

11 1/2" L x 2 9/16" D x 2 1/2" H

Operating Temperature:

+32 to +110F [0 to +43C]

Current:

575 mA (+/-10%) at 12VDC
275 mA (+/-10%) at 24VDC

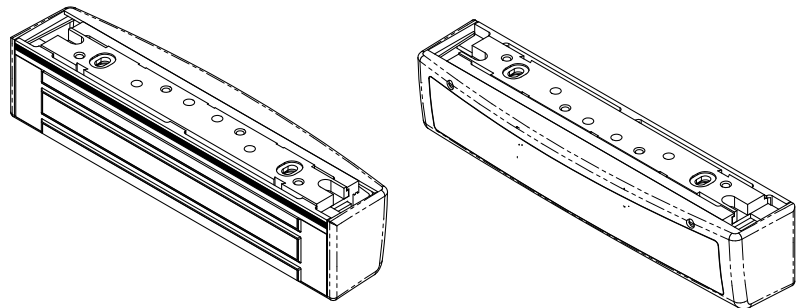
Finishes:

US19/622 - Satin Black

US26D/626 - Satin Chrome (Standard)

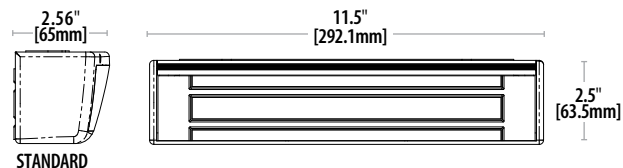
PRODUCT FEATURES

- Bracket mounting provides the easiest install for out-swing doors
- Size optimized for use with door closers
- LED visual locked status with configurable red/green color output
- Autosensing dual voltage with microprocessor technology
- Innovative install templating for an effortlessly accurate alignment between magnet and armature plate
- Wire chamber anti-tamper switch
- Instant release circuit - no residual magnetism
- Efficient, low power usage
- MagnaCare Lifetime Replacement No Fault Warranty



» Also Available: the M680 Series from Securitron

Introducing Securitron's new M680 series with BondSTAT and Door Position Switch. This new Magnalock® series offers integrated options such as a CCTV camera and passive infrared motion detector for streamlined access control. For more information, download the M680 sell sheet at www.securitron.com.



Patents Pending



SECURITRON
ASSA ABLOY