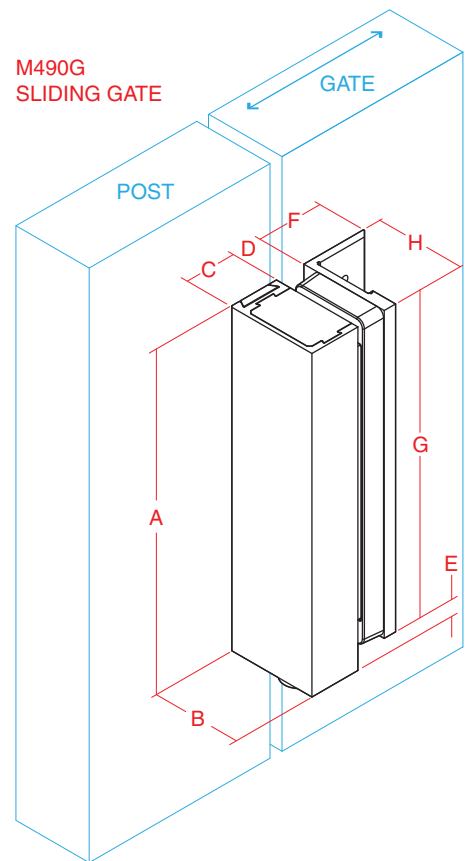
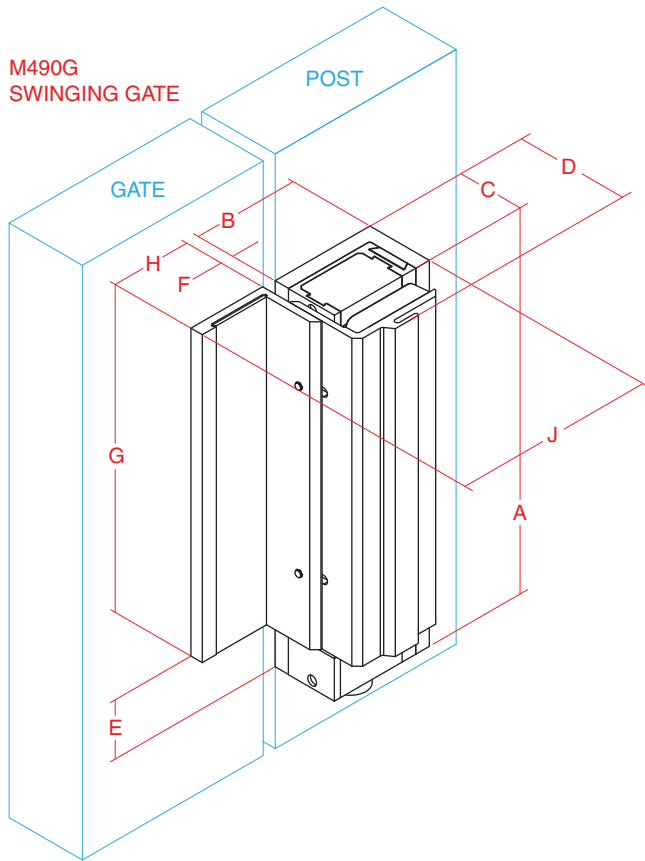


M490G (swinging and sliding gate)



Swinging Gate Application

DIM	M490G
A	11
B	3-1/2
C	2-3/16
D	3-13/16
E	1/2
F	1/2
G	10-1/2
H	2-1/4

Sliding Gate Application

DIM	M490G
A	11
B	3
C	1-11/16
D	11/16
E	1/2
F	2-3/16
G	10-1/2
H	3

Customer Service

1-877-671-7011

www.allegion.com/us

