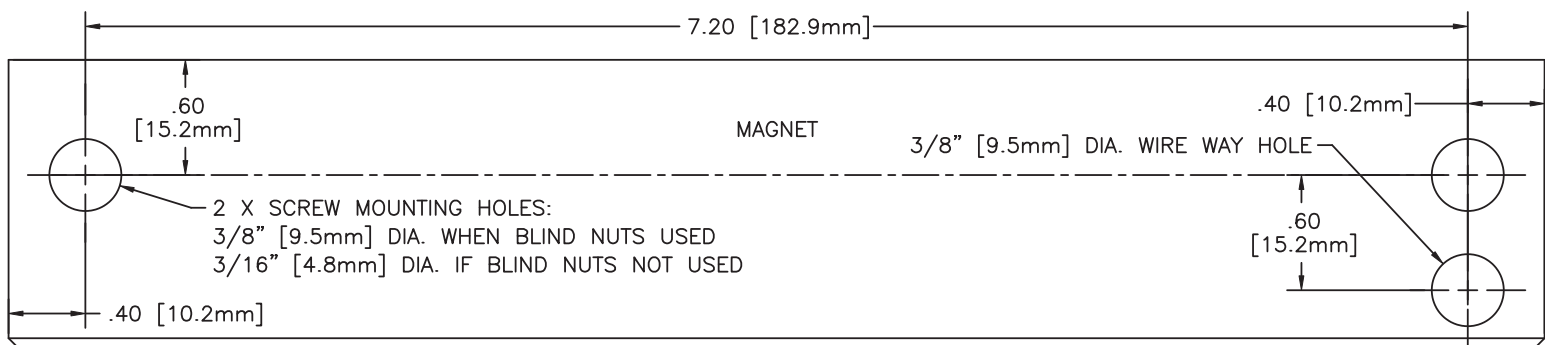


# TEMPLATE FOR 32 SERIES MAGNALOCK WITH SPLIT STRIKE

!!! WARNING: DO NOT DRILL INTO MAGNET OR STRIKES FOR ANY REASON !!!

1. See installation instructions for full information and troubleshooting.
2. The relationship between the two magnet mounting holes is critical. Do not let your marking or drilling wander.
3. Do not overdrill the diameter of the 3/8" [9.5mm] magnet mounting holes or the blind nuts will not seat. It is best to use a center punch to create indentations for all drill locations.
4. Make sure the blind nuts are collapsed.
5. Do not over tighten the magnet mounting screws. Use provided LOCTITE on screw threads.
6. Be careful not to scrape the magnet cable when pushing it back into the frame.
7. The two rubber washers stack one on top of the other and mount in between the strike and the door around the center strike mounting screw. Do not place the washers on the roll pins.
8. When inserting the sex bolts from the outside of the door, do not insert them fully until you have started the mating screws from the other side. This insures that the sex bolts will go in straight.
9. Do not over tighten the strike mounting screws into the sex bolts.
10. Make sure the strike plates float and pivot around the center mounting screws. This compensates for door misalignment. If the strikes are mounted rigidly, the lock will not hold.
11. Use of roll pin plastic bushings is recommended for metal doors. If the plastic bushings are not used, drill 3/8" [9.5mm] diameter holes for the strike roll pins.
12. DO NOT PHOTOCOPIY TEMPLATE (dimensions will change).



POSITION EDGE OF MAGNET 1/2" [12.7mm] FROM FRAME CORNER TO PROVIDE DRILLING CLEARANCE

FOLD ON THIS LINE

