

Securitron® M32-SS Split Strike Magnalock®

Double-door cabinet control



Now you can add asset control to your existing access control system with the durable, power-efficient M32-SS.

Each strike plate of the M32-SS delivers 300 lbs of holding force (600 lbs total). Ideal for securing large two-door cabinets, retail cases or double-door, indoor/outdoor storage applications with out-swinging doors that share a center latching point.

Features

Standard Features

- Direct mount with common tools for strength and reliability
- Fully sealed and for weather-proof operations
- 10 ft. [3.05m] of jacketed, stranded conductor cable
- Noise suppression with included MOV
- Automatic dual-voltage - no field adjustment required
- Instant release circuit — no residual magnetism
- Efficient, low power usage
- Rust resistant — all ferrous metal surfaces plated for durability
- For 5/8" to 7/8" thick cabinet doors
- MagnaCare® lifetime replacement, no fault, no questions asked warranty

Optional Features

- **B** BondSTAT™ magnetic bond sensor — Patented (MBS)
- Use with CWB-32 bracket for mounting option on wood or concrete



MagnaCare
Warranty



Swinging
Door



Dual Voltage
12/24



Fire Rated

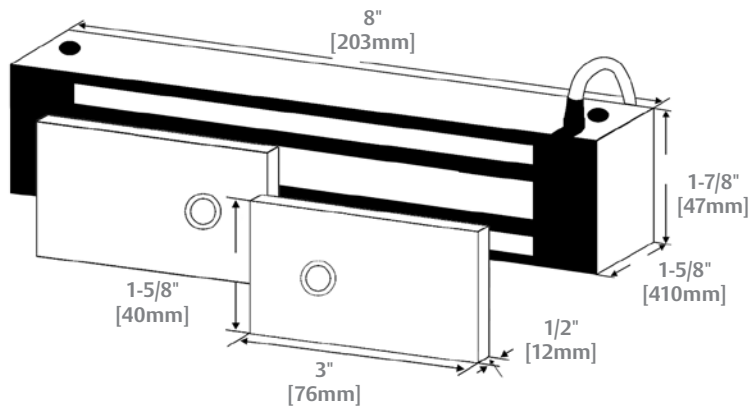


Outdoor
Rated



Preload

Dimensions



Specifications

Dimensions

- **Magnalock:** 8"L x 1-5/8"D x 1-7/8"H
- **Strike:** 3"L x 1/2"D x 1-5/8"H each

Electrical

- 300 mA at 12 VDC / 150 mA at 24 VDC

Holding Force

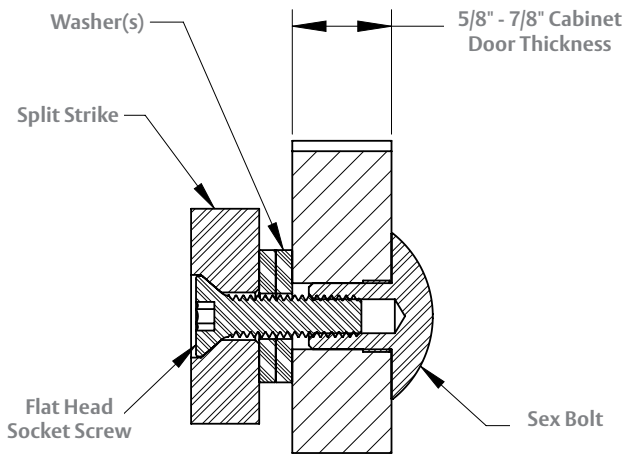
- 600 lbs [272kg]
(300 lbs [136kg] per strike)

Operating Temperature

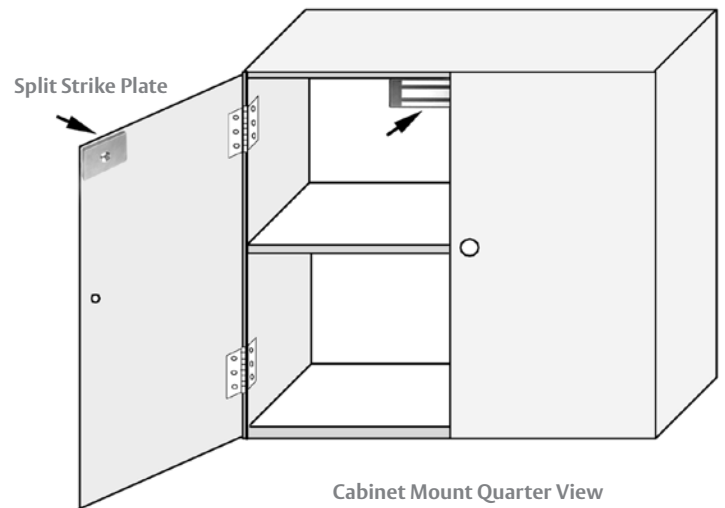
- -40 to +140F [-40 to +60C]
Indoor or outdoor use

Shipping Weight

- 6 lbs [2.72kg]



Includes a shortened sex bolt for use on typical 3/4" MDF cabinet doors



How to Order

Model Series	Monitoring Options	Strike Plate Options
M32	BD	-SS
M32 (600 lbs)	(blank) No Monitoring	(blank) Standard Strike
	B BondStat Monitor	SS Split Strike
	D Door Position Switch	
	BD BondStat and DPS	