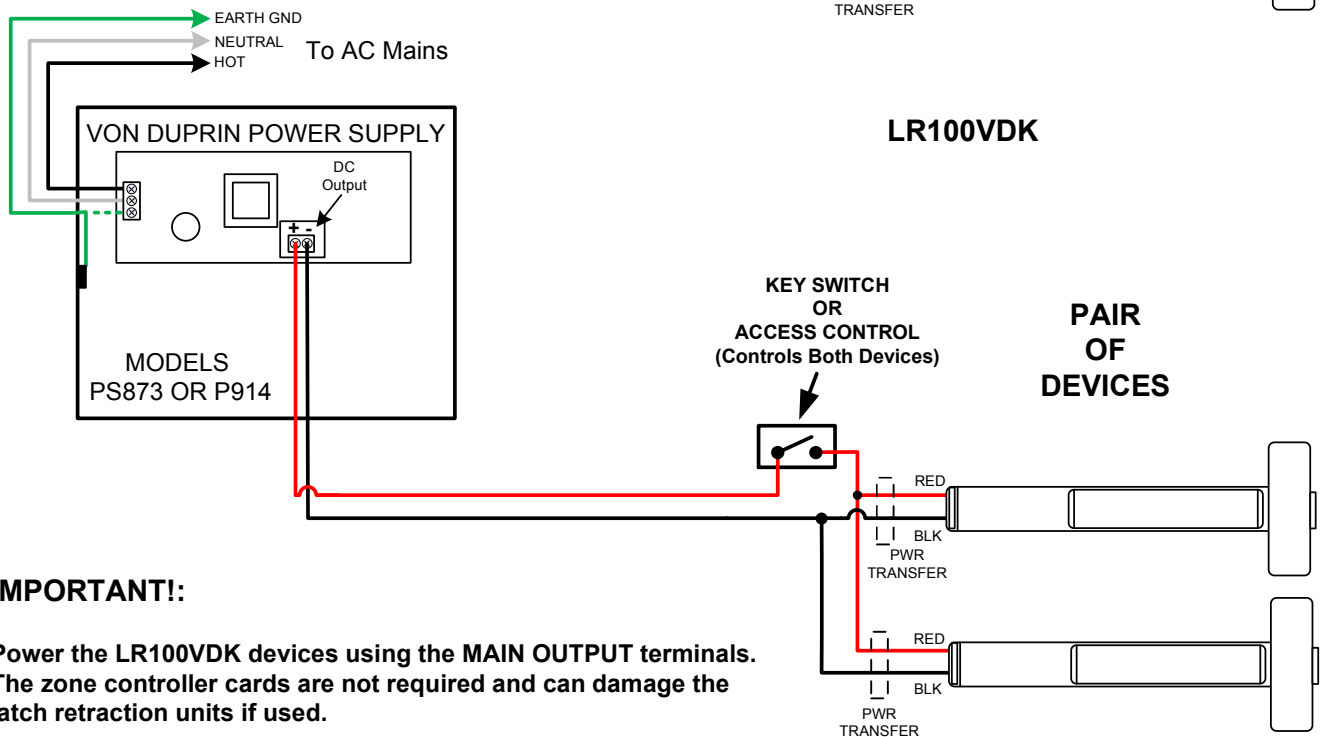
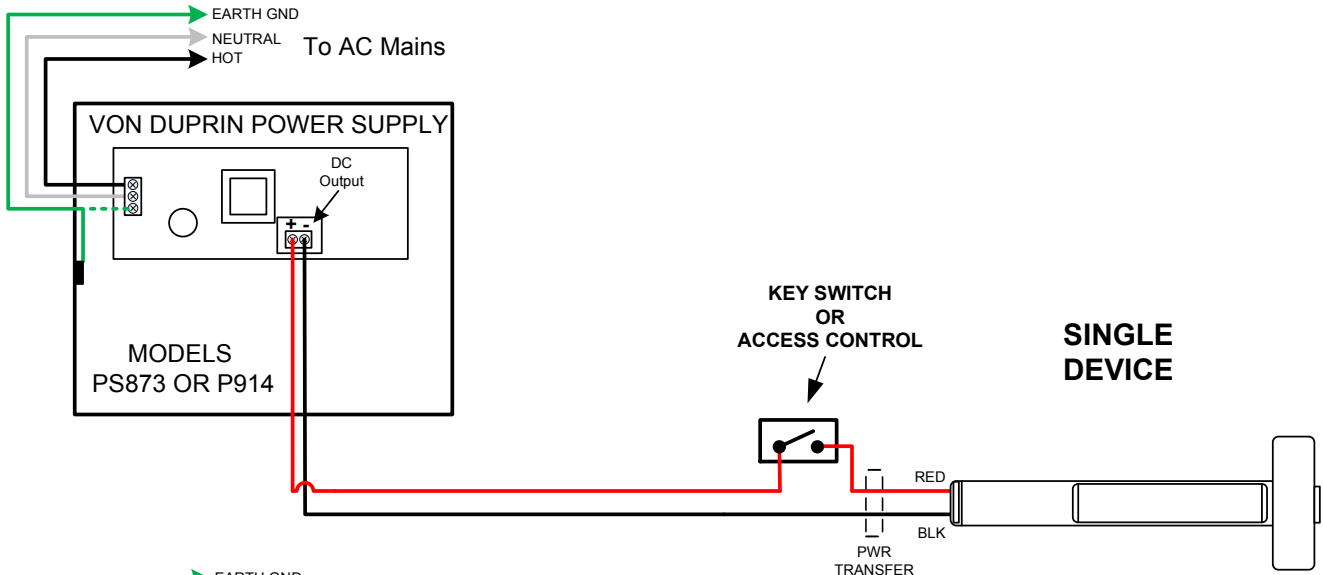


# SDC Security Door Controls

801 Avenida Acaso, Camarillo, Ca. 93012 • (805) 494-0622 •  
 www.sdcsecurity.com • E-mail: service@sdsecurity.com

## MODELS: LR100VDK, LR100VD & LR100VDK-EM WIRING INSTRUCTIONS for PS873 or PS914



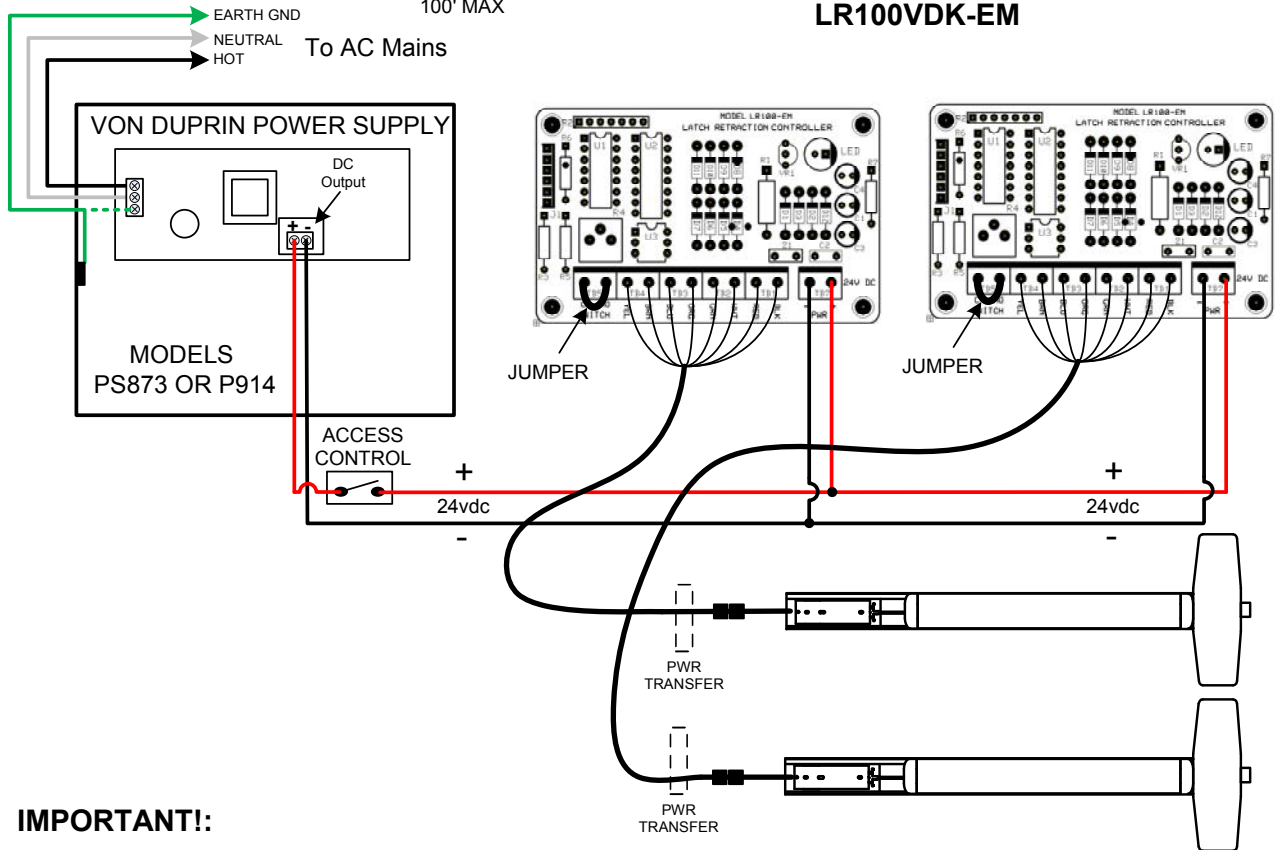
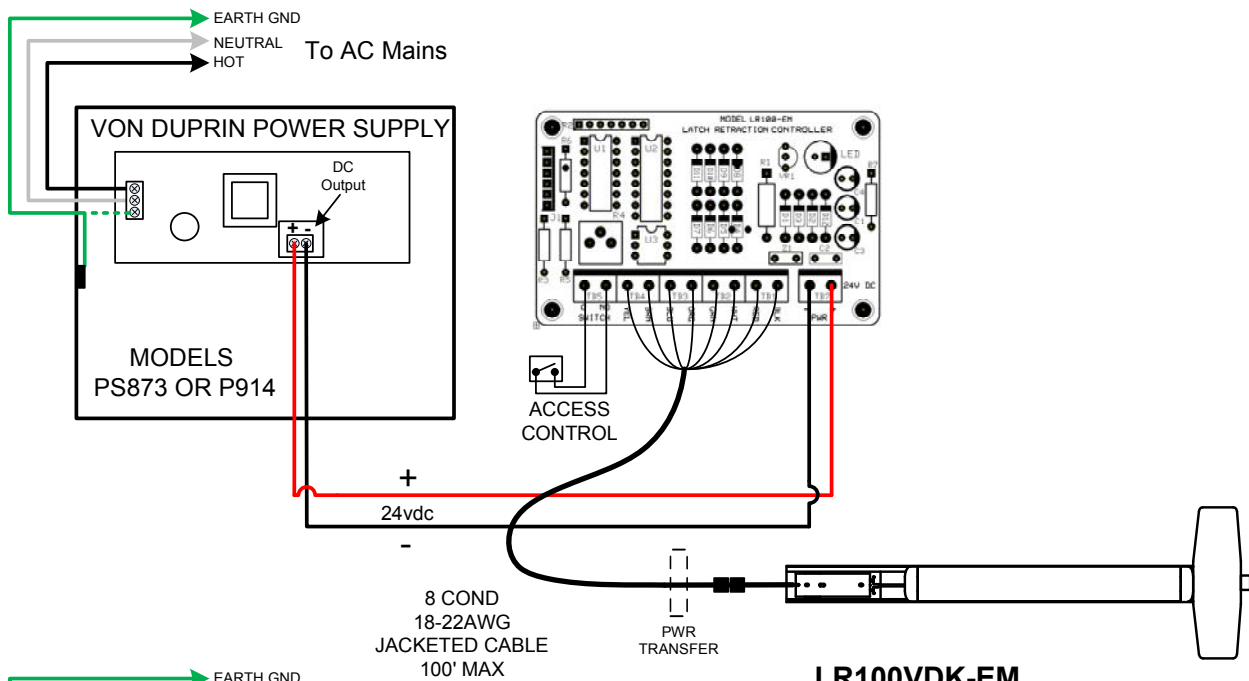
### IMPORTANT!:

Power the LR100VDK devices using the MAIN OUTPUT terminals. The zone controller cards are not required and can damage the latch retraction units if used.

Verify that the main DC output measures at 24VDC +/- 5%.

The low current draw of each device allows both devices to operate simultaneously without the need for a sequencer.

Any suggestions or comments to this instruction or product are welcome. Please contact us through our website or email engineer@sdsecurity.com



**IMPORTANT!:**

Power the LR100 modules using the MAIN OUTPUT terminals. The zone controller cards are not required and can damage the latch retraction units if used.

Verify that the main DC output measures at 24VDC +/- 5%.

The low current draw of each device allows both devices to operate simultaneously without the need for a sequencer.