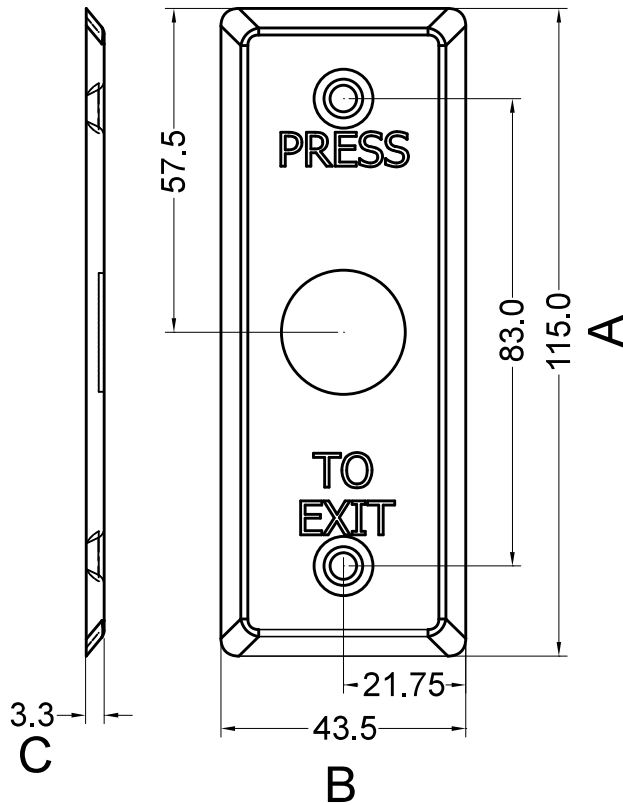


IPB-300N (Mushroom Style Button-Narrow Stile)



Length (A): 4 1/2" (115.0mm)

Width (B): 1 3/4" (43.5mm)

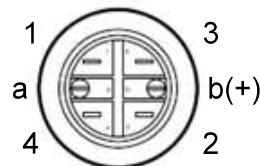
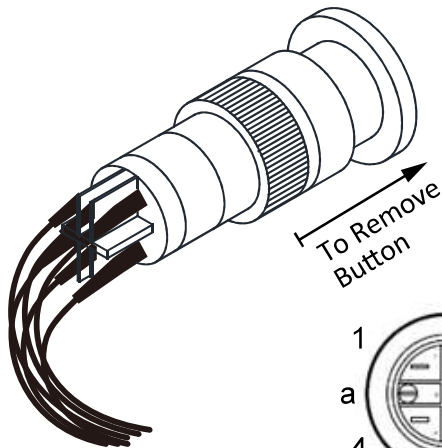
Depth (C): 1/8" (3.3mm)

Push-button Wiring Diagram

- (1). Push-button dry contacts ratings:
5A/25VAC.
Do not exceed the above ratings for
Safe operations.
- (2). For Normally Open requirement, connect
wires to 3 4 dry contacts of Push-button.
- (3). For Normally Closed requirement, connect
wires to 1 2 dry contacts of Push-button.

To Assemble:

- (4). Remove Push-button cap (Red/Green)
by pulling installed cap off.
- (5). Select desired Push-button color.
- (6). Press selected button onto S/W
assembly with faceplate in between
S/W and Push-button.



Back view

Wire Color

(Yellow) 1 — | — 2 (Yellow)

(Blue) 3 — | — 4 (Blue)

(Black) a — (L) — b(+) (Red)

12 VDC

a b → Lamp

1 2 → NC.

3 4 → NO.