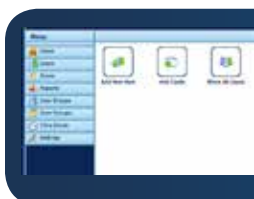
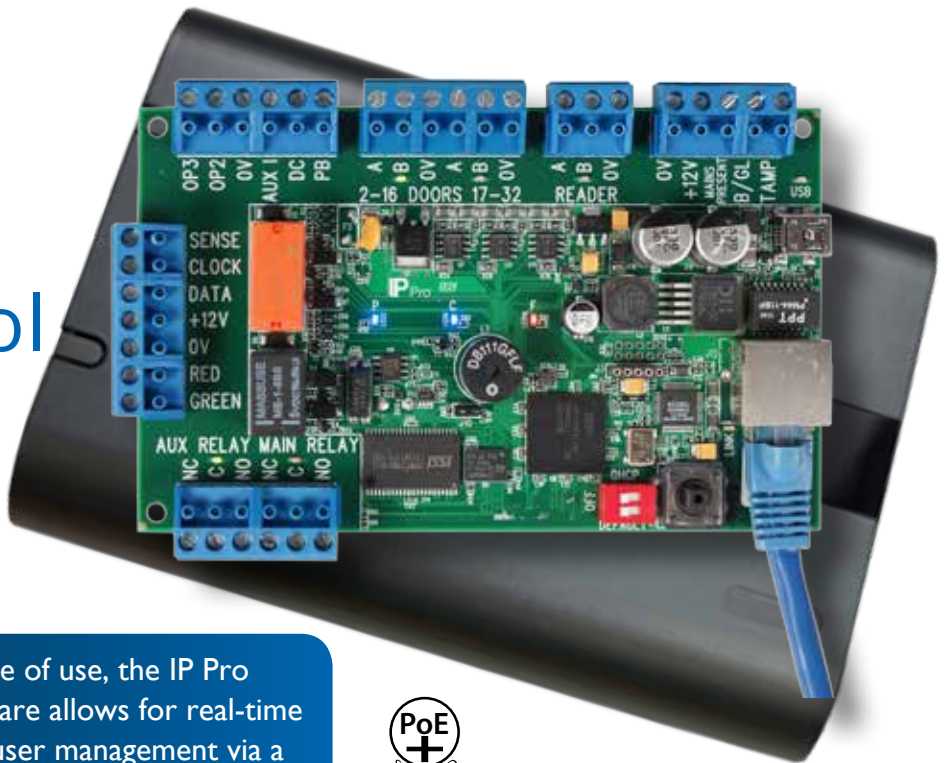


IP Pro™

IP-based Access Control Starter Kit

The IP Pro is a single door IP controller with expandability, supporting up to 15,000 users.



Designed for ease of use, the IP Pro embedded software allows for real-time monitoring and user management via a web browser.



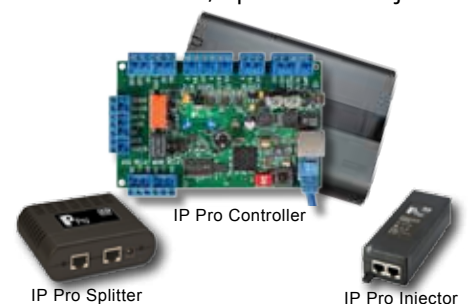
FEATURES

- Controls one door directly, with unlimited expansion capabilities
- TCP/IP communications (100/10Mbps)
- DHCP or Static IP addresses
- Password protected built-in web server (No separate software to install)
- Live transaction monitoring
- Entry & exit reader capability
- Supports industry standard proximity, smart card, and multi-technology readers (Wiegand output)
- Reader short circuit protection
- Compliant with PoE+ standard
- 15,000 users (up to 2 credentials per user)
- Batch card enrollment
- 250 User groups/Time Zones/Door Groups
- Holiday support
- Scheduled Events
- Temporary Users
- Audit Trail – Up to 5,000 events may be exported as a .csv file
- Status LED's – Power, Communications, & Fault on-board diagnostic indicators
- Anti-tailgating
- Anti-passback (global or localized)
- Supported browsers: Microsoft Internet Explorer 8 & 9, Firefox 8.0, Google Chrome
- Multiple credential modes: Card only, PIN only, Pin or Card, Pin & Card
- Door Status Monitoring Input
- Request-to-Exit (REX) Input
- Programmable Auxiliary Input
- Lock Relay Output
- Auxiliary Relay Output
- (2) Programmable Solid-state Outputs
- Tamper Input
- Database backup support

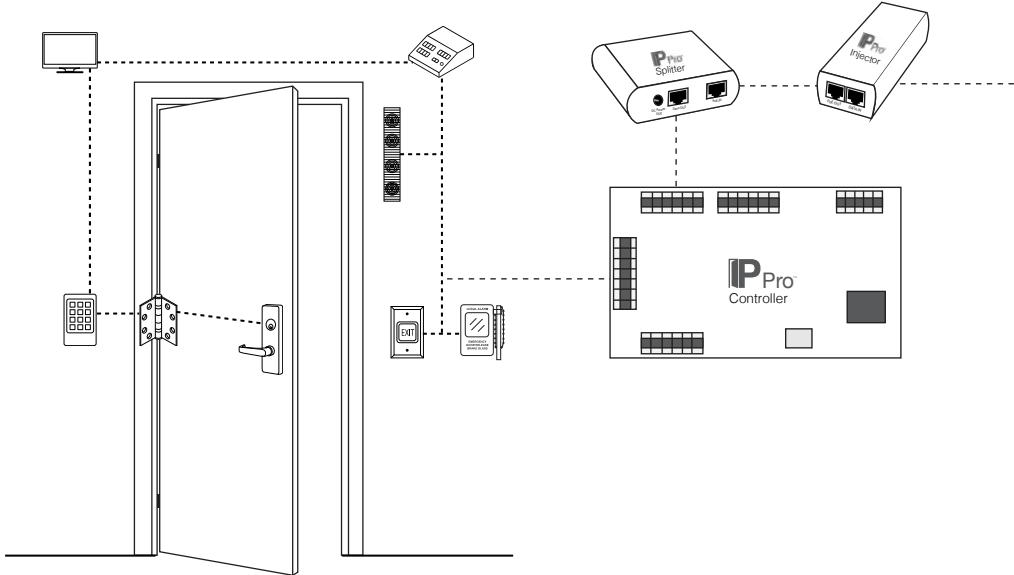
MODELS

- IPPRO-SKE** IP Pro Starter Kit, including Controller board, Splitter and Injector components plus Controller enclosure
- IPPRO-SK** IP Pro Starter Kit, including Controller board, Splitter, Injector
- IPI-30** IP Pro Injector 30W PoE+
- IPS-12** IP Pro Splitter 12VDC PoE+
- IPDC** IP Pro Controller board only
- IPDCE** IP Pro Controller board plus enclosure
- IPDSE** IP Pro Door Station Expansion board plus enclosure
- IPDS** IP Pro Door Station Expansion board only
- IPRW** IP Pro Wiegand Reader - PROX, HID compatible (125 kHz)

IP Pro™ Starter Kit includes IP Pro Controller, Splitter and Injector



IP Pro™ Solution



SPECIFICATIONS

IP Pro Controller / Door Station Expansion

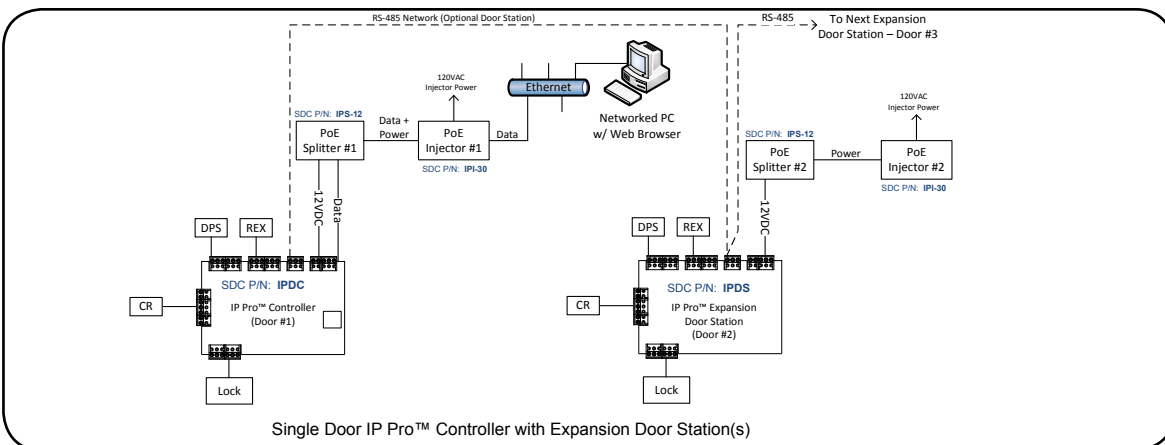
Voltage	12 VDC Input
Current Consumption (max)	250mA - Controller 120mA - Door Station Expansion
Operating Temperature	14°F – 122°F (Indoor use only)
Dimensions	5.375" x 3.5" x 0.875" board only 9.25" x 6.5" x 2.1875" w/ ABS plastic enclosure
Weight	1lb
Relay Output Type	Form C (SPDT) x 2
Relay Contact Rating	Main (Lock) – 5A @ 30VDC Auxiliary – 1A @30VDC
Connections	Digital Inputs: 4 dry contact inputs Ethernet: RJ45 (Controller only) RS-485 Terminal Bus Reader Power – 12VDC Reader Data – Wiegand (26bit to 37bit) Reader LED Control – Red & Green Two Solid State outputs (100mA max)

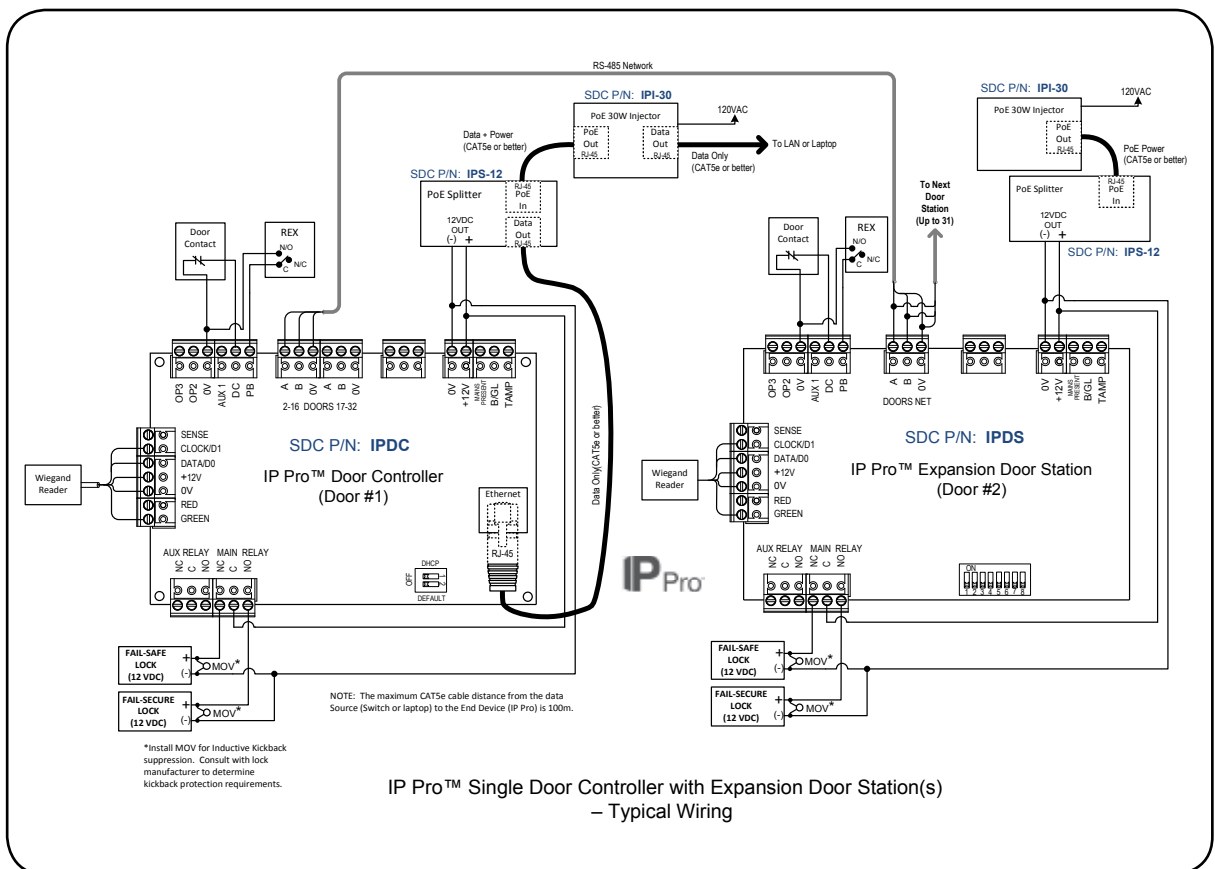
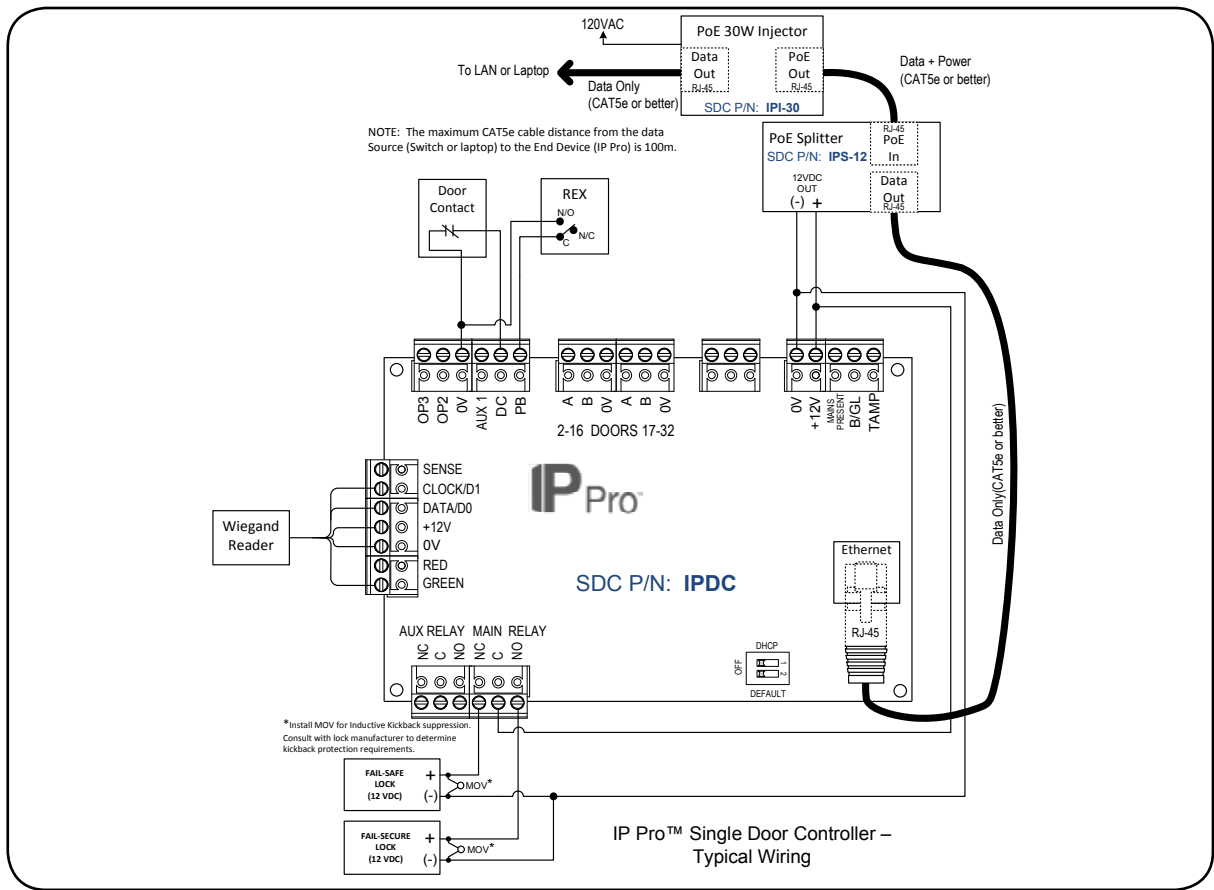
IP Pro Splitter

Input voltage	44 - 57 VDC
Input power	30W max
Output power	24W max
Output Current	2A @ 12V

IP Pro Injector

PoE+ Output Pin Assignment and Polarity	4/5 (+), 7/8 (-)
Output Power Voltage	55Vdc
User Port Power	30Watts (Guaranteed)





Please see our PoE brochure
for a complete lineup of low-current
Access Control Hardware,
which are guaranteed to work with the
IP Pro™ Series

