



SECURITY DOOR CONTROLS

801 Avenida Acaso, Camarillo, Ca. 93012 • (805) 494-0622 • Fax: (805) 494-8861
www.sdcsecurity.com • E-mail: service@sdsecurity.com

INSTALLATION INSTRUCTIONS 492 PULL STATION EMERGENCY DOOR RELEASE

INSTALLERS NOTE:

The station is supplied with the glass rod removed. It is recommended that the station be activated and tested prior to installation of the glass rod.

Glass Rod and Hardware are shipped in the station box.

REPLACEMENT OF GLASS ROD:

Use an allen wrench to open front cover of station. Carefully remove the glass debris from broken rod, then reset T-Handle to the normal position.

To replace Glass Rod, insert one end of rod under Spring Tab. Then, with one finger lift other end of Spring Tab allowing Glass Rod to slip into place.



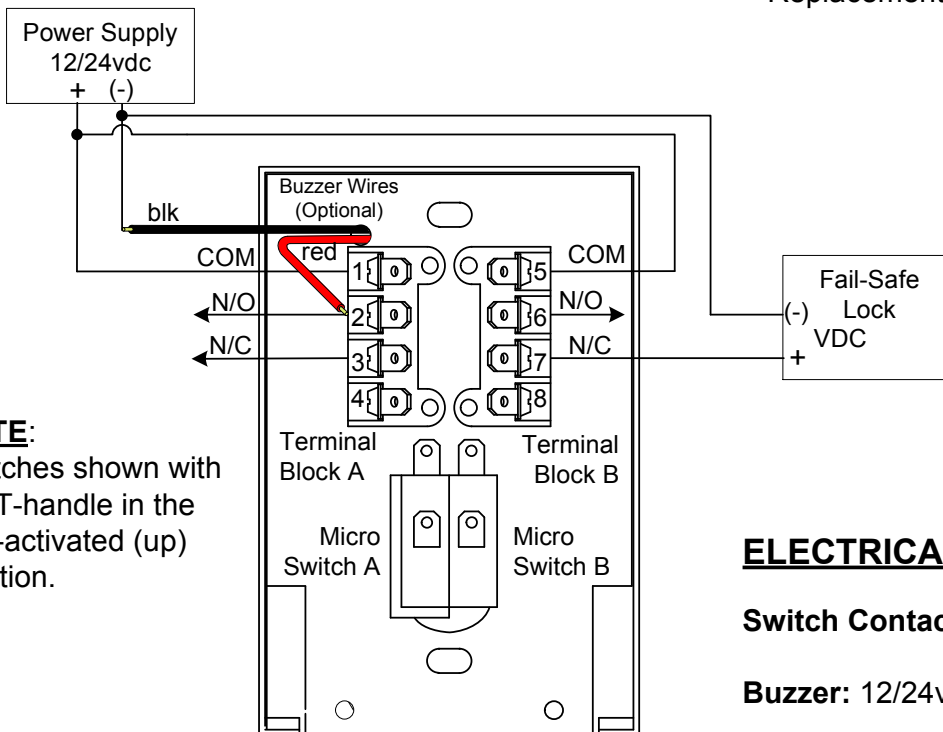
TO CLOSE STATION:

Simply push station closed.

OPTIONAL:

Back box model #492-BB available for surface mount

Replacement Glass Rod #492-GL4



NOTE:

Switches shown with the T-handle in the non-activated (up) position.

ELECTRICAL SPECIFICATIONS:

Switch Contacts: (2) SPDT 10A@125vac

Buzzer: 12/24vdc @ 10/20ma