

# SDC Security Door Controls

801 Avenida Acaso, Camarillo, Ca. 93012 • (805) 494-0622 •  
 www.sdcsecurity.com • E-mail: service@sdsecurity.com

## INSTALLATION INSTRUCTIONS/TEMPLATE 80 SERIES ELECTRIC LOCKS

1. Mark and drill as follows: Holes 1, 2 and 3 for #14 sheet metal screws or 1/4 - 20 machine screws.  
 Hole 4 – 3/8" diameter for wire.  
 Block strike: Holes 5 and 6 or 12 and 13 for 1/4 - 20 machine screw or #14 sheet metal screw.
2. Tap holes as required.
3. Remove housing cover and mount lock and strike.
4. Attach power leads. Check alignment of bolt and strike. There should be no binding. Leading part of strike should be 1/8" away from the lock *1/8" is maximum distance*. If this is correct, tighten mounting screws.
5. Check lock operation for any last adjustments.
6. Install housing.

### SPECIFICATIONS

DIMENSIONS: 2" x 2" x 6"

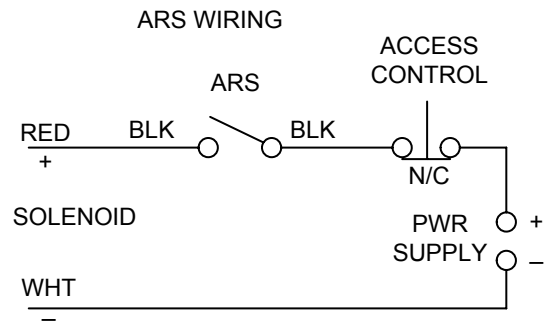
FINISH: US28 standard (dark duranodic optional)

BOLT: 180 and 280 series 5/8" diameter 1/2" throw

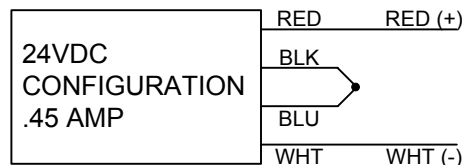
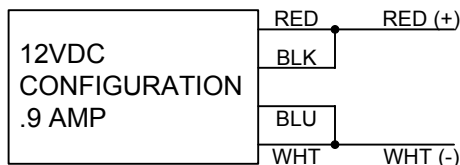
SOLENOID: 180 series, power lock, continuous duty  
 280 series, power unlock, continuous duty

#### 180/280 Series Dual Voltage (Fail Safe):

- 10.8 Watts – 12VDC @ .9 Amp
- 10.8 Watts – 24VDC @ .45 Amp



BOLT POSITION SENSOR  
 DOOR POSITION SENSOR  
 SPDT .25 AMP  
 ORG – N.C.  
 GRY – COM  
 YEL – N.O.



Any suggestions or comments to this instruction or product are welcome. Please contact us through our website or email [engineer@sdsecurity.com](mailto:engineer@sdsecurity.com)

