



# INSTALLATION INSTRUCTIONS

## GL160 / GL260 GATELOCK



### Available Models:

GL 160AI	Fail-Safe
GL 260AH	Fail-Secure
GL 163AI	Fail-Safe, Built in Key Switch
GL 263AH	Fail-Secure, Built in Key Switch
GL 260MRA	Fail-Secure, Mechanical Release

### Lock Operation:

The Lock has an adjustable automatic relock switch (ARS standard) that keeps the bolt retracted until the gate is in a closed position. A Bolt Position Switch (BPS, optional) monitors the lock and unlock position of the bolt. A gate position switch (DPS, optional) is also available to monitor whether a gate is opened or closed.

### Specifications:

Dimensions:	W 5" x H 6-1/8" x D 2"
Material:	Steel
Finish:	Black
Solenoid:	Continuous Duty
Bolt Throw:	5/8"
Bolt Dia:	5/8"
Dual Voltage:	900mA @ 12 VDC 450mA @ 24 VDC
ARS:	3A @ 30 VDC
BPS:	3A @ 250 VAC
DPS:	3A @ 30 VDC
Key Switch:	10A @ 28 VDC

**CAUTION: DO NO INSTALL LOCKING TONGUE ONTO LOCK UNTIL WIRING IS COMPLETE.**

**GL160A & GL260A – GATE LOCK MOUNTING**

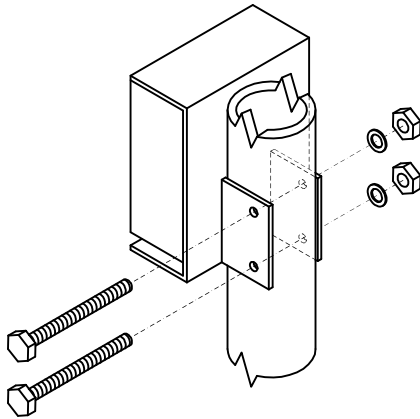
Use the lock housing as a template to mark the mounting holes onto the post. If the wiring will go through the post remove cover and mark the wiring hole before mounting. Use a 3/8" drill size to drill out all holes. Be sure to shim between the mounting brackets as required if the gate post is less than 3". See illustration 1 & 2.

Determine the hand of gate and install the switches accordingly. See Illustration 3. The Illustration below gives an example of a LH swing and or a RH sliding gate install. To reverse the handing swap the position of the ARS and centering assembly to the opposite side of lock.

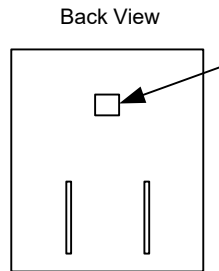
Before mounting the locking tongue verify that it is properly aligned within the gate lock opening. The locking tongue should be centered with the bolt and make contact with centering assembly and ARS. Once verified mark the mounting holes and drill use 3/8" drill size for all holes. See illustration 4.

Refer to page 4 of instructions for wiring information.

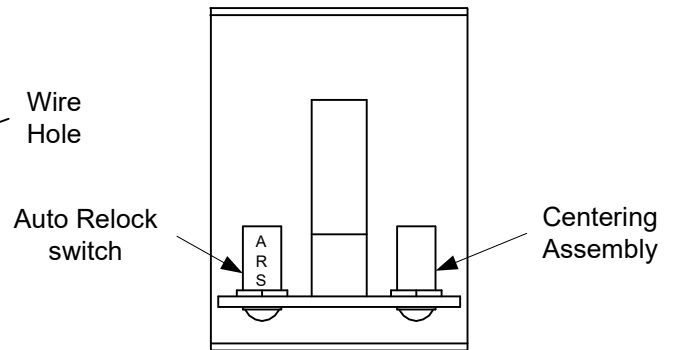
Test operation to verify that its functioning properly and re-install cover..



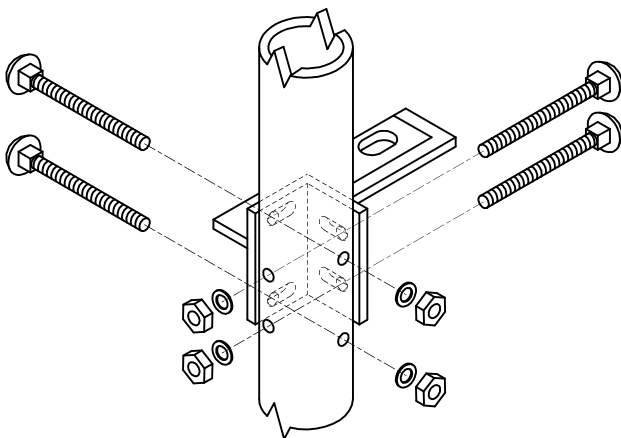
**Illustration 1**



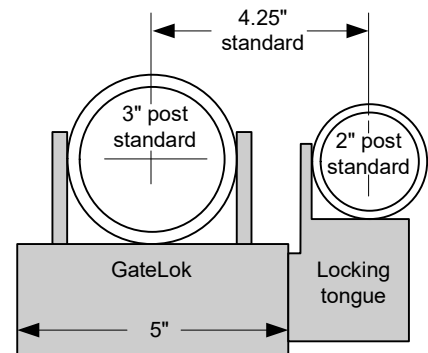
**Illustration 2**



**Illustration 3**



**Illustration 4**



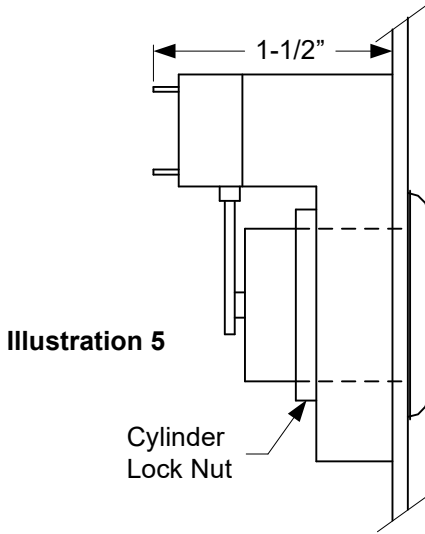
Right Hand Sliding Gate  
Or  
LH Swing Gate shown

## **GL163A & GL263A – BUILT IN KEY SWITCH**

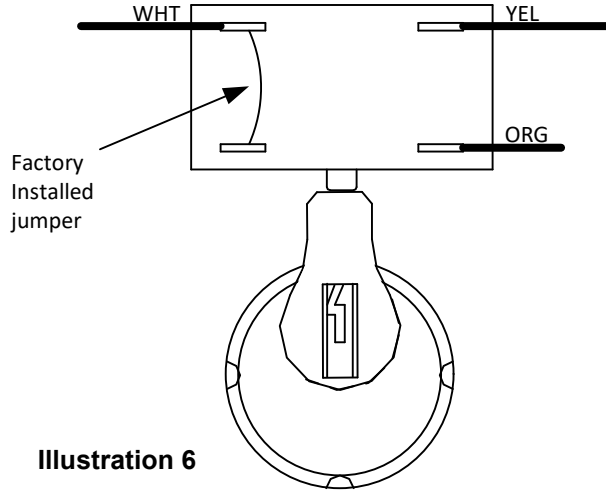
Install key cylinder per notes below

- a) Cylinder must be 1-1/8" mortise type with standard tailpiece. See illustrations 5
- b) Remove key and invert the tailpiece. See illustration 6.

Refer to page 4 of instructions for wiring information.



**Illustration 5**



**Illustration 6**

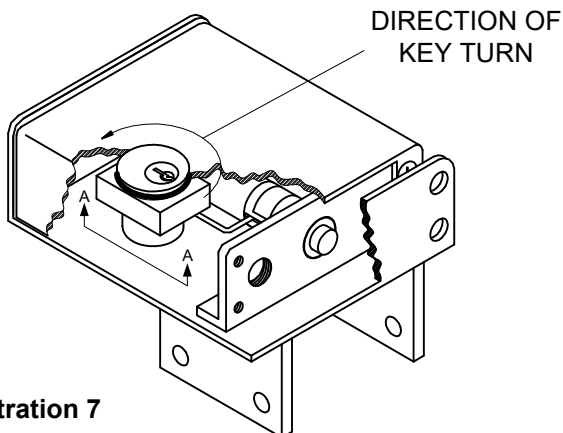
Note position of mortise cylinder & tailpiece relative to switch. Tailpiece must point up & depress switch button at all times with key removed.

## **GL260MRA – MECHANICAL RELEASE**

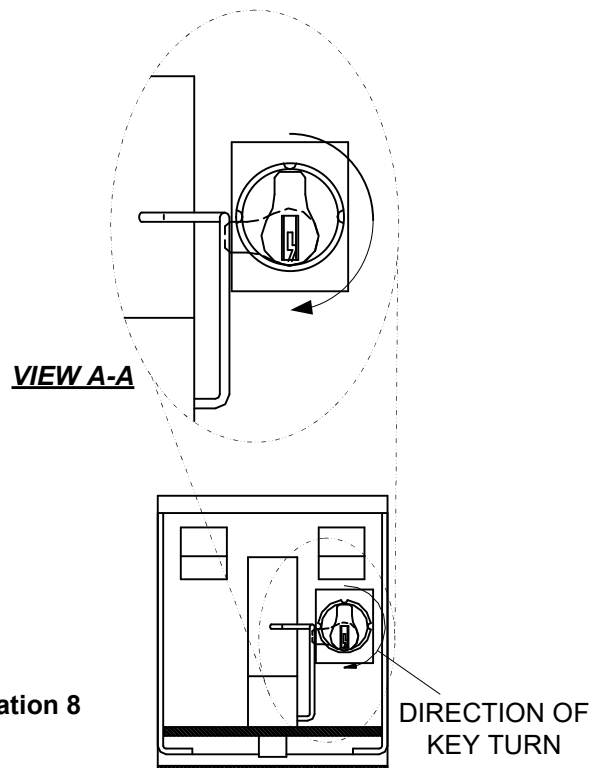
Install key cylinder per notes below

- a) Cylinder must be 1-1/8" mortise type with standard tailpiece. See illustrations 7
- b) Tailpiece must contact retraction arm as shown in View A-A; See illustration 8.

Refer to page 4 of instructions for wiring.



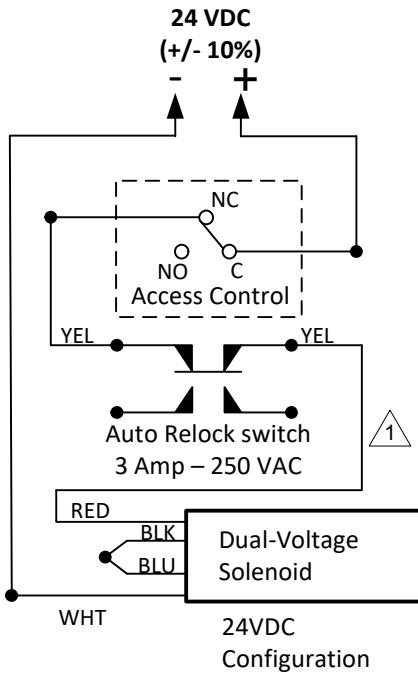
**Illustration 7**



**Illustration 8**

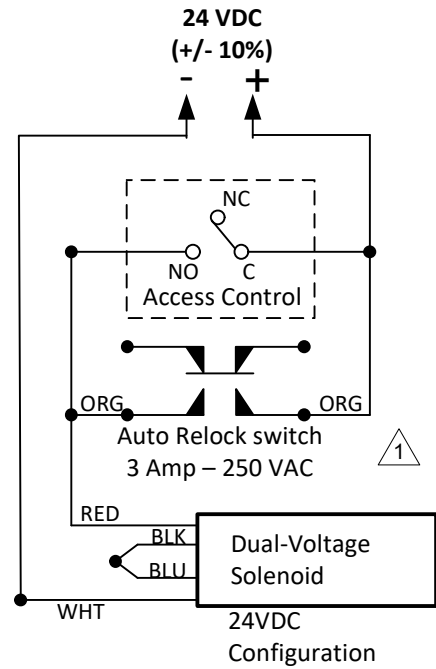
## WIRING REFERENCE

### GL160A Typical wiring

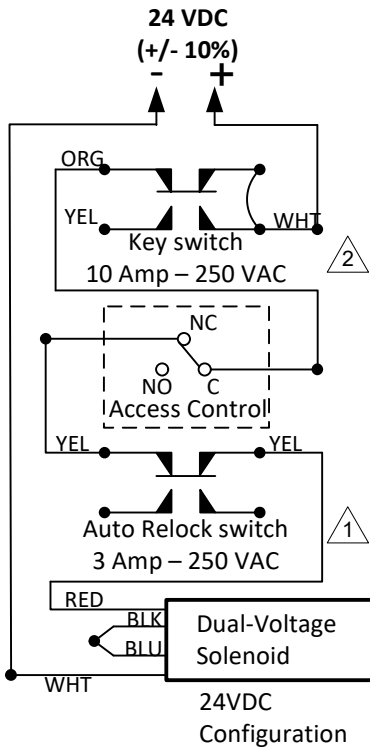


1 Auto Relock switch wiring shown with tongue engaged inside lock

### GL260A/260MRA Typical wiring



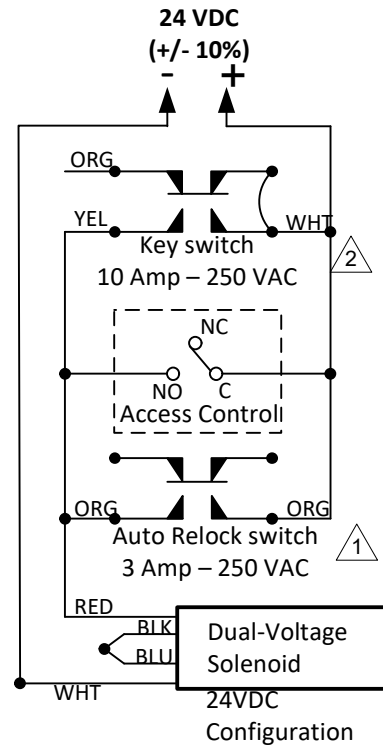
### GL163A Typical wiring



1 Auto Relock switch wiring shown with tongue engaged inside lock

2 Key switch wiring shown with tailpiece depressing switch

### GL263A Typical wiring





# OPTIONAL MONITORING WIRING REFERENCE

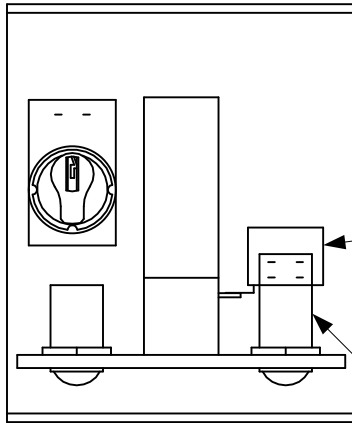
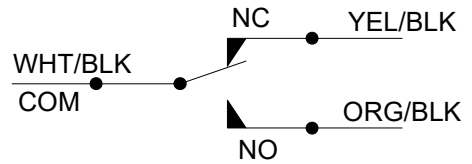


Illustration 8

Bolt Position Switch (optional)

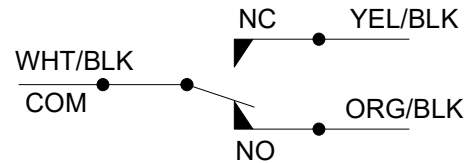
Auto Relock Switch & Gate Position Switch (DPS)

## 260 BPS Wiring



Shown when Bolt is retracted

## 160 BPS Wiring



Shown when Bolt is retracted

## DPS Wiring

WHT	=	COM
YEL	=	N/C
ORG	=	N/O

Shown when tongue is inserted