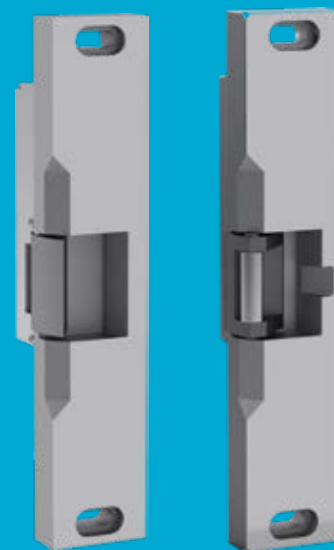


HES[®] Folger Adam 310-4 Electric Strike

*Works with Pullman style latchbolts
up to 3/4" and Squarebolt[®]
style rim exit devices*



310-4

310-4S

The 310-4 is a 3 hour fire rated, industrial grade electric strike designed for extreme heavy duty applications.

The all stainless steel construction of this device makes it ideal for high abuse applications that would disable other electric strikes. The 310-4 has a unique 3/4" face plate with an integrated 1/4" base shim that can be removed in the field to accommodate rim exit devices with a 1/2" or 3/4" throw latchbolt.

Features

Standard Features

- Integrated shim for quick customization of faceplate thickness (1/2" to 3/4" [19mm])
- Tamper resistant, heavy duty construction
- Constructed entirely of stainless steel for strength and corrosion resistance
- Static strength 1,500 lbs
- Dynamic strength 70 ft-lbs
- Endurance rating 1 million cycles
- Integrated ramps for better deadlatch handling
- Set screws for horizontal lockdown
- In-frame horizontal adjustability
- Wider faceplate for greater versatility
- Non-handed
- Fail secure (standard)
- Plug-in connector
- SecuriCare five-year, no-fault, no questions asked warranty

Optional Features

- Fail safe
- **LCBMA** Latchbolt & Locking Cam Monitor with Auxiliary Switch

Accessories

- **7000-SMB** Surface mounting box
- **2001-1** Wire-in bridge rectifier
- **2001M** Plug-in bridge rectifier
- **2004M** ElectroLynx[®] adapter
- **2005M3** SMART Pac[®] III
- **2006M** Plug-in buzzer



Grade 1

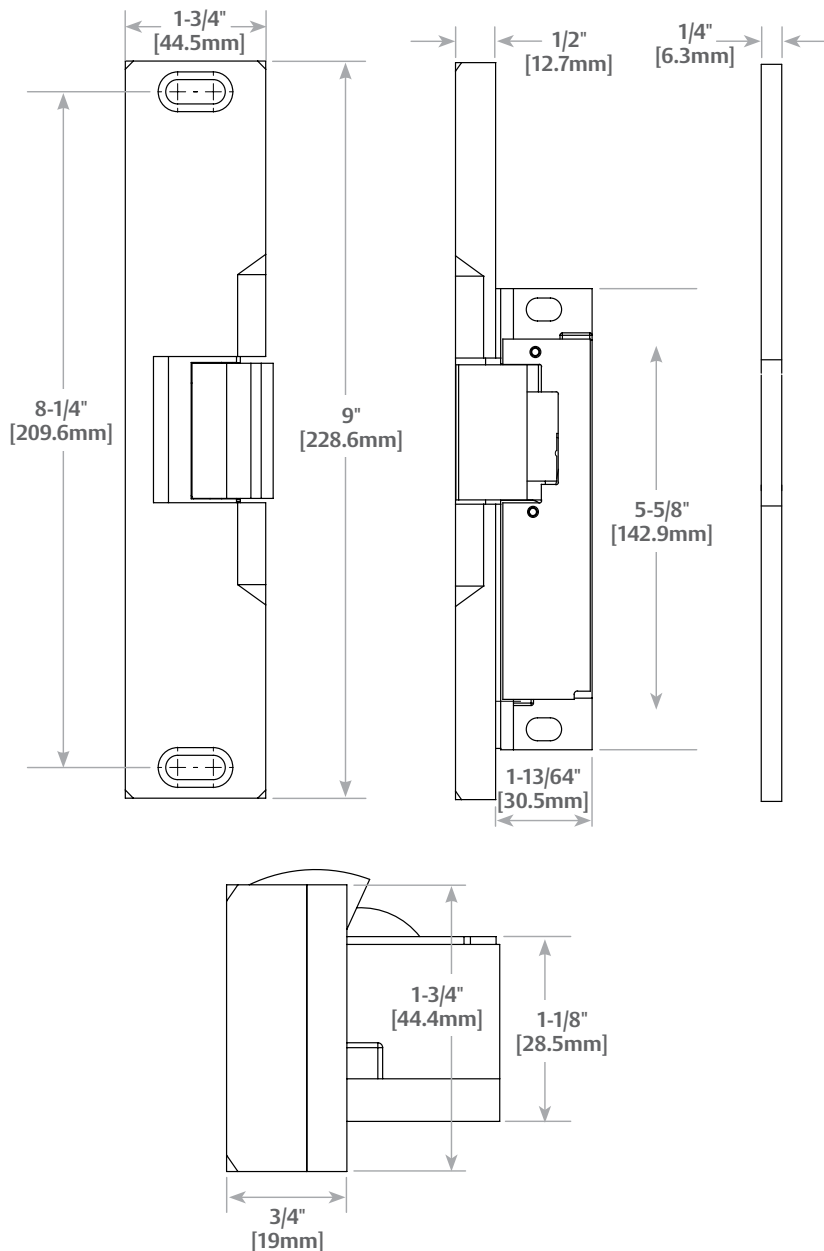
SecuriCare
WarrantyRim Exit
Devices

Fire Rated

Burglary
Rated

HES Folger Adam 310-4 Electric Strike

Dimensions Model 310-4 shown



Specifications

Certifications

- UL 10C, 3-hour fire rated (fail secure only)
- CAN4-S104 (ULC-S104) fire door conformant
- UL 1034, burglary-resistant listed
- UL 294 (6th Edition) listed
- ANSI/BHMA A156.31, Grade 1
- NFPA-252 fire door conformant
- ASTM-E152 fire door conformant
- RoHS compliant

Electrical (Continuous Duty)

- 510 mA at 12 VDC/250 mA at 24 VDC

310-4

For up to 3/4" [19mm] Pullman style latchbolts on single doors

PK keeper standard

310-4S

For Squarebolt® style rim exit devices such as;

- Corbin Russwin® ED4200S, ED5200S and ED5200SA SecureBolt®
- Yale® 7150(F), 7250, 7270M(F) Squarebolt® Exit Devices

SK keeper standard

How to Order

Series	Fail Secure / Safe	Voltage	Finish*	Option (s)
310-4 (S)	- F	- 12D	- 605	- LCBMA
Complete Pacs	(blank) Fail Secure (standard)	12D 12 Volt	605 Bright Brass	LCBMA Latchbolt & locking cam monitor with auxiliary switch
310-4 PK keeper standard; For use with 3/4" Pullman style latchbolts	F Fail Safe	24D 24 Volt	606 Satin Brass	
310-4(S) SK keeper standard; For use with Squarebolt® style rim exit devices		612 Satin Bronze		
	613 Bronze Toned			
	629 Bright Stainless Steel			
			630 Satin Stainless Steel	