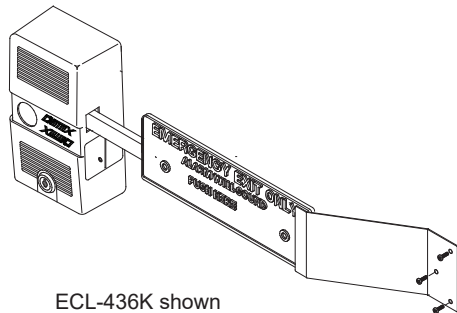


EXIT CONTROL LOCKS

ACCESSORIES for ECL-230D SERIES and ECL-600

Detex makes a number of accessories available that allow the Exit Control Locks to be used in a wide range of applications. Below is a listing and description of these items.



ECL-436K shown

Item Number

Description and Use

ECL-436K

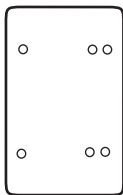
Panic Bar Plate Guard Kit

Protects against clothing being caught on exit bar plate. Used with ECL-230D.

ECL-2100K

Panic Bar Plate Guard Kit

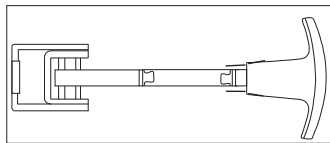
Protects against clothing being caught on exit bar plate. Used with ECL-230D-PH and ECL-600 (required)



ECL-475K

Decorative Back Plate Kit

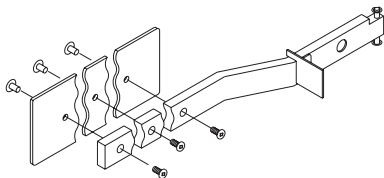
5 19/32" W x 10 3/16" H x .045" thick. To improve the appearance of the back of an Exit Control Lock visible through glass on a narrow stile glass door.



ECL-498K

Outside Pull and Warning Sign

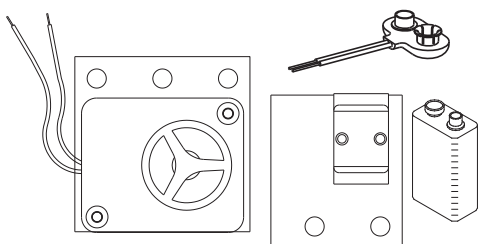
Mounted on opposite face of door where conditions or regulations require that an emergency exit be openable from both sides. Alarm sounds when door is opened.



ECL-2105K

Paddle Bar Kit (Retrofit)

Bar extension kit for 3.0' to 4.0' doors



ECL-2111K

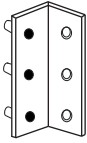
Siren/Battery Conversion Kit

For ECL-230C & D. Converts ECL-230 6 volt lantern battery to 9 volt battery & siren

EXIT CONTROL LOCKS CONT'D

ACCESSORIES for ECL-230D SERIES and ECL-600

Single Door Mechanical Strikes for Inswinging and Outswinging Installations



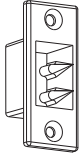
Item Number

Description and Use

ECL-435K

Adjustable strike bracket, surface

For use on left hand, right hand inswinging doors or double doors with one door stationary using flush bolts or DDH-2250



ECL-439K

Mortise strike

For use on outswinging doors



ECL-437K

Adjustable strike, surface

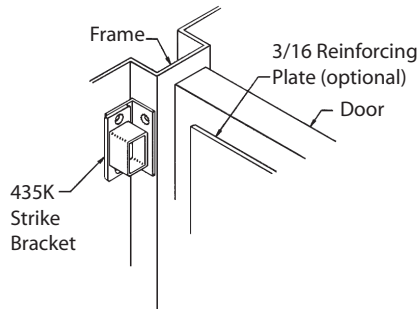
For use on outswinging doors

INSWINGING DOORS - LH, RH
ECL-435K adjustable strike bracket, surface

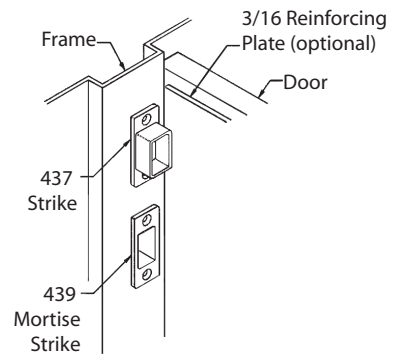
OUTSWINGING DOORS
ECL-439K mortise strike
ECL-437K adjustable strike, surface

* Price of lock includes a kit containing 439 and 437 strikes with required mounting screws. All other strikes must be ordered separately by number. There is an extra charge for strikes that are not included as part of the lock.

FOR INSWINGING INSTALLATIONS
and
DOUBLE DOOR APPLICATIONS
without a MULLION



FOR OUTSWINGING
INSTALLATIONS



All bracket-mounted strikes include unique adjustable feature for proper installation alignment. All strikes supplied with wood and sheet metal mounting screws.

EXIT CONTROL LOCKS CONT'D

ACCESSORIES for ECL-230D SERIES and ECL-600



ECL-8220

Optional Captions for Exit Bar Plates

Standard exit bar plate includes words "EMERGENCY EXIT ONLY".

Item Number

Description

ECL-8220
ECL-8220-1

English Exit Bar Plate
Red (Standard)
Green

ECL-8220-8

Spanish Exit Bar Plate
Red

ECL-8220-6
ECL-8220-9

Chinese/English Exit Bar Plate (Red)
Chinese Exit Bar Plate (Red)

ECL-8220-7

French Canadian Exit Bar Plate
(Red)

ECL-2109

English Exit Bar Plate for Long Bar -
ECL-230D-PH (Red)



ECL-405
(DT0XX is stamped on the key)
XX = Key # 11-20

Cover Lock Key



Detex Corporation
302 Detex Drive
New Braunfels, Texas 78130-3045 USA
PH. (830) 629-2900
(800) 729-3839
FAX (800) 653-3839
<http://www.detex.com>
USA Sales:
marketing@detex.com
International Sales:
export@detex.com