

# Securitron<sup>®</sup> DM62 Magnalock<sup>®</sup>

*The ultimate 1,200 lbs holding force Magnalock double magnet for indoor/outdoor high security*



The versatile Securitron DM62 electromagnetic lock offers strength and ease of maintenance for interior, perimeter and exterior access control—in a compact double magnet.

This all-in-one unit is designed for double doors with no mullion. With unsurpassed durability, the Securitron DM62 will last long after most buildings wear out.

## Features

### Standard Features

- Ultra-secure collapsing blind nuts mount to door frame for strength and reliability
- Fully sealed for weatherproof operations
- 3' [1 m] of jacketed, stranded conductor cable for each lock
- Automatic dual-voltage —no field adjustment required
- Instant release circuit —no residual magnetism
- Noise suppression with built-in MOV
- Efficient, low power usage
- Rust resistant — all ferrous metal surfaces plated for durability
- MagnaCare<sup>®</sup> lifetime replacement, no-fault, no questions asked warranty

### Optional Features

- **B** Patented BondSTAT magnetic bond sensor
- **D** Integrated door position switch (DPS)
- **OS** Offset strike plates



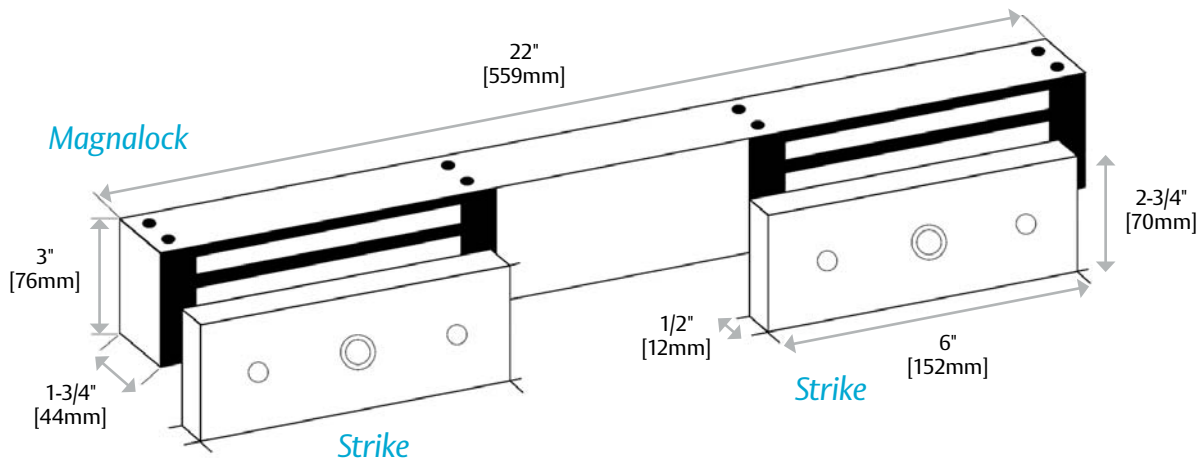
Grade 2

MagnaCare  
WarrantyAuto Sensing  
Dual Voltage  
12/24

Fire Rated

## Securitron DM62 Magnalock

## Dimensions



## Specifications

## Certifications

- UL 10C Listed
- CAN4-S104, CAN/ ULC-S533 Listed
- ANSI/BHMA A156.23, Grade 2; E08511-1000 Compliant
- CSFM- California State Fire Marshal Approved

## Electrical (Per Lock)

- 250 mA at 12 VDC
- 150 mA at 24 VDC

## Holding Force (Per Lock)

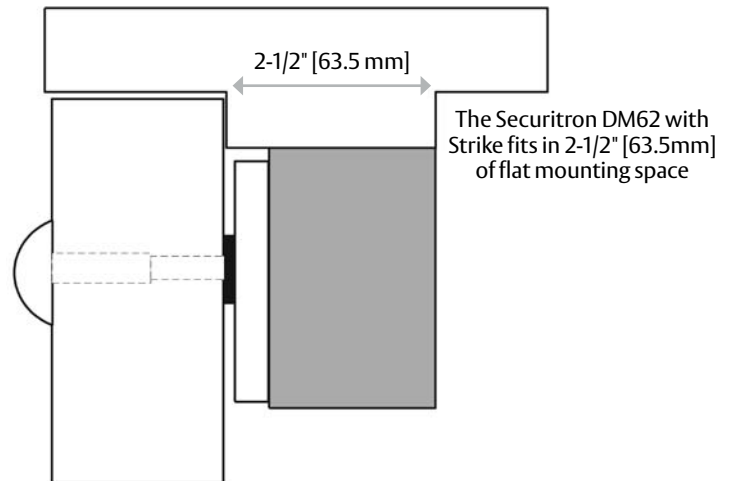
- 1,200 lbs [544kg]

## Operating Temperature

- -40° to 140°F [-40° to 60°C]
- Indoor or Outdoor use

## Shipping Weight

- 16 lbs [7.26kg]



## How to Order

Model Series	Monitoring Options	Strike Plate Options
<b>DM62</b>	<b>BD</b>	<b>- OS</b>
<b>DM62</b>	<b>(blank)</b> No Monitoring	<b>(blank)</b> Standard Strike
	<b>B</b> BondSTAT Monitor	<b>OS</b> Offset Strike
	<b>D</b> Door Position Switch	