

Securitron DK-12 Digital Keypad System

ASSA ABLOY

The global leader in
door opening solutions



The DK-12 standalone keypad and controller is ideal for lower security applications such as traffic control.

Easy to Program

- 99 user code capability which is programmable from the keypad
- Red, green and yellow LEDs for status and programming feedback
- Easy to install with simple hand tools

Versatile & Flexible

- Fail secure or fail safe-capable
- Passage mode and Lockout mode
- Optional accessories for conditional outdoor operation

Convenience & Exceptional Value

- Stainless steel backplate with 12 illuminated keys (10 digits + "*" and "#" keys)
- Request to exit (REX) input
- Configurable audible keystroke echo



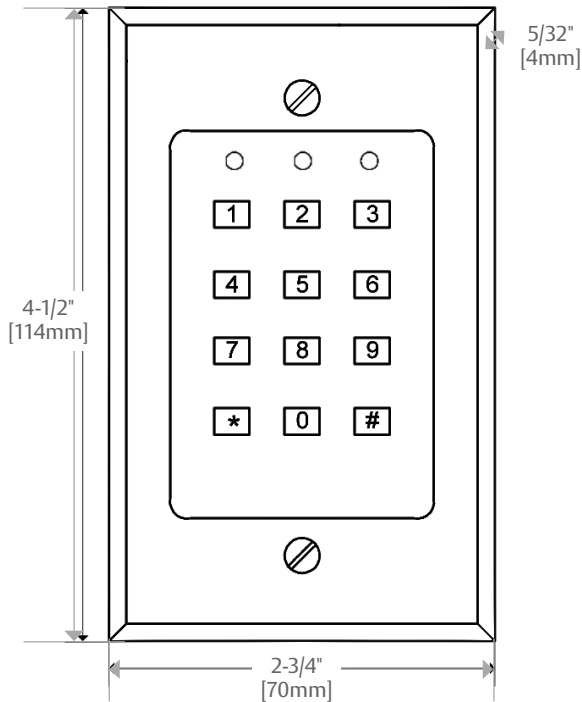
MagnaCare
Warranty



Dual Voltage
12/24

Traffic Control | Illuminated | Single Gang

Dimensions



Specifications

Electrical

- 100 mA at 12 or 24 VDC
325 mA at 12 or 24 VDC
- Max 30V input
- 0.5A SPDT Relay

Operating Temperature

- -10° to 140°F [-23° to 60°C]

Shipping Weight

- 1lb [0.45kg]

Features

Standard Features

- 12-key illuminated 3x4 keypad
- Stainless steel plate
- Red, green and yellow LEDs for status and programming feedback
- Audible keystroke echo
- True 10-digit operation (10 digits plus * and # keys)
- 99 user code capability
- User code and hard code disable feature
- Passage Mode and Lockout Mode
- Request to exit (REX) input
- Primarily for indoor applications
- US32D/630 Satin Stainless Steel finish
- MagnaCare® lifetime replacement, no-fault, no questions asked warranty

Accessories

- **WCC** Weather-resistant cover
- **WBB** Weather-resistant back box

How to Order

Model Series

DK-12

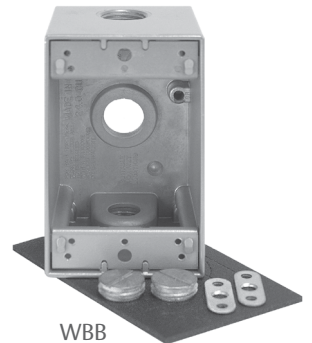
DK-12 Keypad

Need an Outdoor Solution?

WCC and WBB allow DK-12 to be mounted in outdoor locations not directly exposed to rain or snow



WCC



WBB

ESH-SEC-31-0818

ELECTRONIC SECURITY HARDWARE

HES | Securitron

assaabloyesh.com | 800.626.7590 | 10027 S. 51st Street, Ste. 102 Phoenix, AZ 85044 USA

Patent pending and/or patent www.assaabloydss.com/patents
Copyright © 2018, Hanchett Entry Systems, Inc., an ASSA ABLOY Group company. All rights reserved. Reproduction in whole or in part without the express written permission of Hanchett Entry Systems, Inc. is prohibited.