

Securitron® XDT Exit Delay Timer

*Sophisticated control in an
easy-to-use, modular exit delay timer*



BA-XDT

Configurable exit delay is ideal for fail safe environments that have varying needs throughout the day.

Function is compatible with entry control, door/lock monitoring, and authorized immediate exit. Widely used in healthcare environments to alert for patient exit and in retail environments to prevent theft.

Features

Standard Features

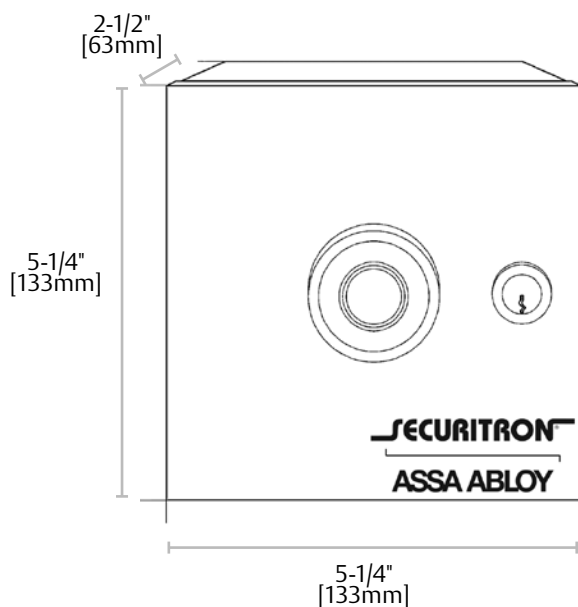
- Meets all code requirements including the BOCA 30 second relock function
- Nuisance delay and release times are digitally set using precise DIP switches
- Three 5A SPDT relays for interface capabilities
- External switches such as time clocks can put the XDT into different modes when delayed exit is not desired at all times
- MagnaCare® lifetime replacement, no fault, no questions asked warranty

Optional Features

- XDT is board only
- BA-XDT in surface mount enclosure with piezo sounder and door label
- FA-XDT is a flush mount plate enclosure with piezo sounder and door label



Dimensions



Specifications

Certifications

- ANSI/UL 294 Listed
- CSFM—California State Fire Marshal Approved

Electrical

- 100 mA at 12 VDC
- 50 mA at 24 VDC
- 5A SPDT relays

How to Order

Mounting Method	Model Series	Voltage
BA –	XDT	– 12
(blank) Circuit Board only	XDT Exit Delay Exit	12 12 VDC
BA Boxed		24 24 VDC
FA Flush Mount		