



24125007

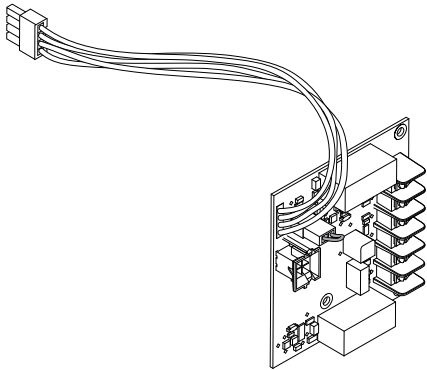
# 900-2RS



Option Board

Installation Instructions

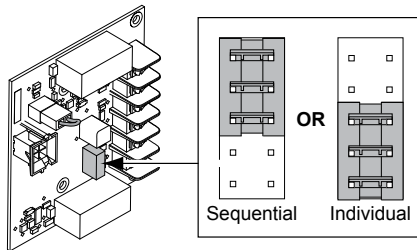
## 900-2RS Specifications:



Inputs I1 , I2	Dry contacts required (Closed = Active) Connect control contacts between SC (Signal Common) and any input
Outputs o1 , o2	<ul style="list-style-type: none"> <li>• 12/24VDC, 3A (wet) when AC powered</li> <li>• 9.6-13.2VDC or 19.2-26.4VDC when battery powered</li> <li>• May be used with PS914 to power EL device at 24VDC, 16A, 300ms</li> <li>• Maximum load cannot exceed power supply ratings or 3A for outputs combined</li> </ul>
Board Input Power	Board requires 0.1A max. of power supply output current to operate
Temperature Range	32°-120° F (0°- 49° C)
Compliance	UL 294, ULC-S318, RoHS, & FCC Part 15
Fire Alarm Input	Accepts 900-FA Fire Alarm Board (Optional)

## 1 INSTALL 900-2RS OPTION BOARD (IF REQUIRED)

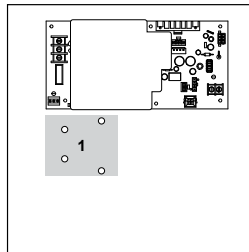
### 1a Use Jumper to Select Function



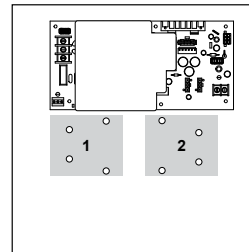
#### ▲ DANGER:

Ensure AC breaker is turned off when installing or wiring option boards

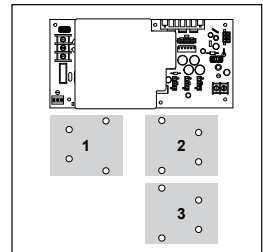
### 1b Review Available 900 series Option Board Mounting Locations (Gray)



PS902

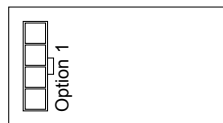


PS904  
PS914

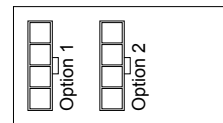


PS906

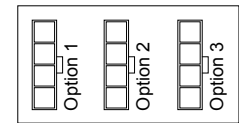
### 1c Plug 2RS Cable into any Available Option Connector



PS902  
1 Board

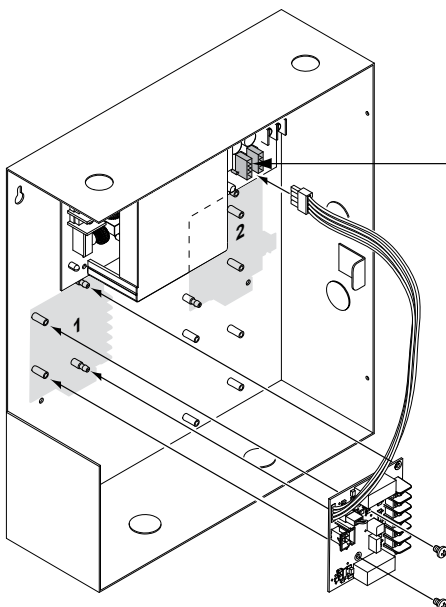


PS904, 914  
2 Boards



PS906  
3 Boards

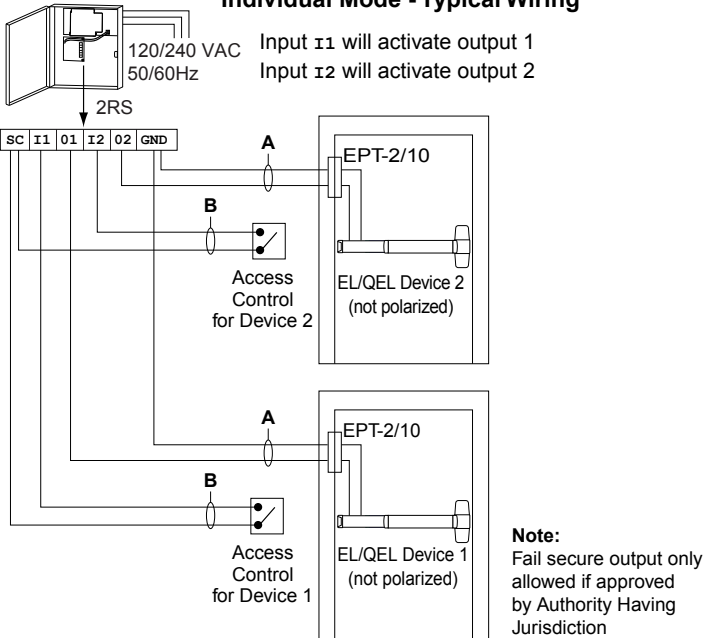
### 1d Secure Board with Screws



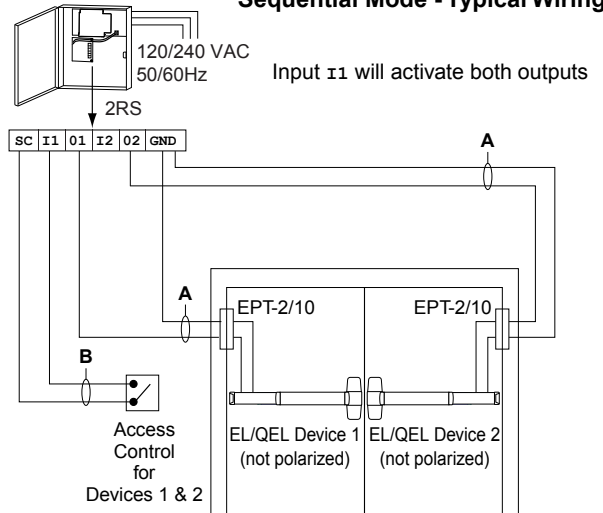
- Notes:**
1. 24VDC output setting required when EL or QEL device connected
  2. If installing board in location 2 or 3, rotate board 180°
  3. When powering (2) QELs with a PS902, both cannot be activated at the same time, they must be sequenced.
  4. Latchbolt retraction of (2) sequenced QELs requires more than 1 second to complete.
  5. For double door QEL applications with auto operators, it is recommended to use a PS904, 906, or 914 power supply.

## 2 CONNECT WIRING TO 900-2RS OPTION BOARD

### Individual Mode - Typical Wiring



### Sequential Mode - Typical Wiring



### Wire Table

Device Type	Wire Ga (AWG)	Distance (max. ft.)*	
		Output A	Input B
EL Exit Device with EPT or Door Loop (PS914 Power Supply Required)	12	200	
	14	100	
EL Exit Device with Electric Hinge/Pivot (PS914 Power Supply Required)	12	150	
	14	75	
QEL Exit Device with EPT or Electric Hinge	12	800	
	14	500	
	18	200	
Other Low Current Devices (.5 Amps DC)	14	500	
	18	200	
Other Low Current Devices (.3 Amps DC)	14	850	
	18	340	
Access Control Device	18		1200

\* Wiring allows for 10% voltage drop at device current at 12 or 24VDC  
Max. ft = one way distance between power supply and device

Customer Service

1-877-671-7011 www.allegion.com/us



© Allegion 2014  
Printed in U.S.A.  
24125007 Rev. 01/14-d