

Exit Stopper®

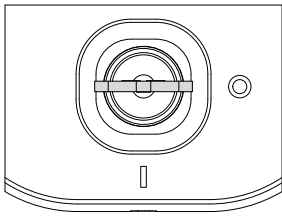
Quick Install

STI-6400 Series

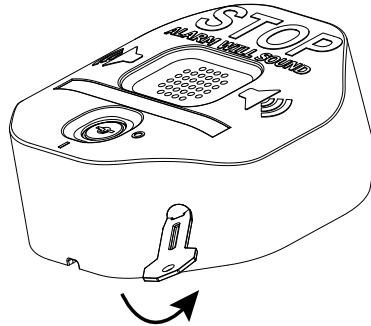
Rely on STI®

SET UP

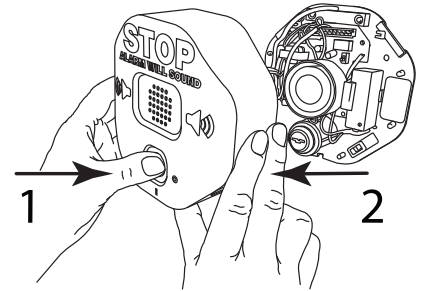
1. Key in OFF position



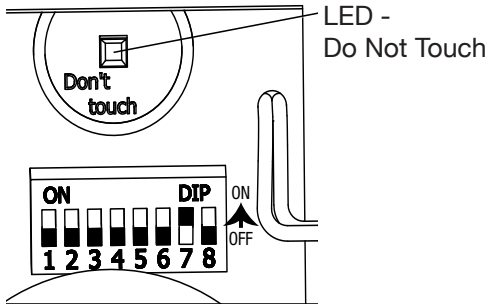
2. Remove security screw with provided wrench



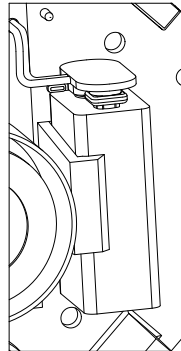
3. Remove cover from base, push on lock to separate



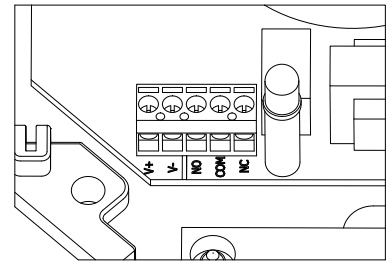
4. Choose setting – refer to switch table, default settings shown side 2



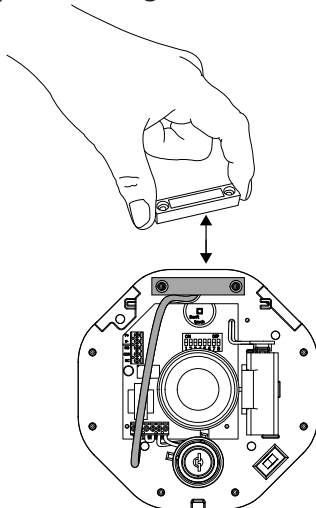
5. Unwrap battery and connect



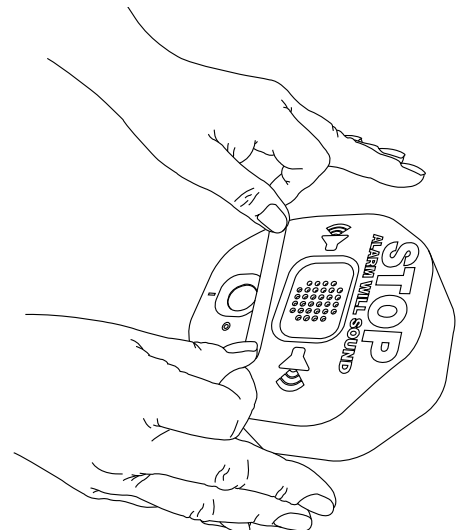
6. Terminal block (remote power and relay options) – refer to full install online for wiring connections



7. Test – place magnet next to reed, turn key switch on, separate magnet from reed

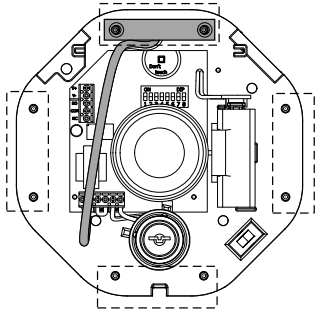


8. Apply language label if desired

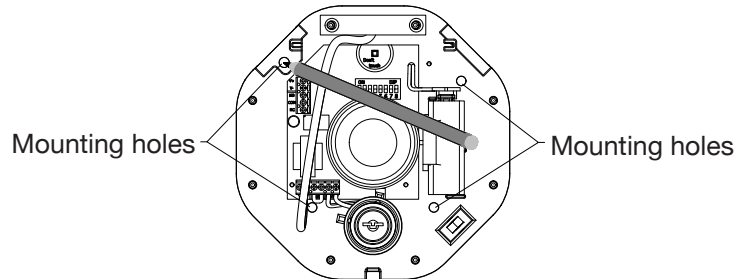


MOUNTING

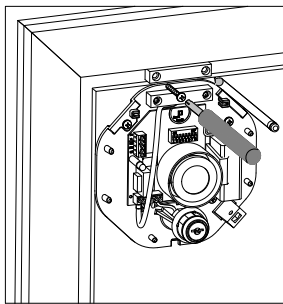
- 9.** Place reed at desired location (top, right, bottom or left)



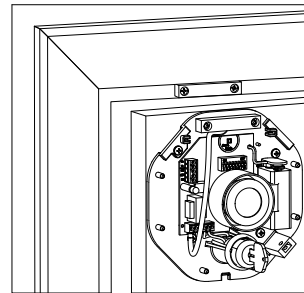
- 10.** Position base. Mark and drill four (4) holes 1" (25mm) deep. Using plastic anchor, drill 3/16" (4.5mm). Install into wood or steel: drill 9/64" (3.5mm). Mount using (4) M4 x 25mm screws.



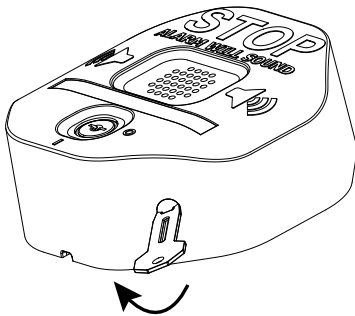
- 11.** Install reed magnet, mark with pencil, drill, install using plastic anchor, drill 3/16" (4.5mm). Install into wood or steel: drill 1/8" (3mm). Mount with (2) M3.5 x 32mm screws.



- 12.** Test, turn key on, open door



- 13.** Replace cover, snap lid from top, secure with security screw



SWITCH SETTINGS	1	2	3	4	5	6	7	8
Arming - immediate	OFF*							
Arming - 15 second delay	ON							
Trip - immediate		OFF*						
Trip - 15 second delay		ON						
Shut-off based on duration (switches 4 & 5)			OFF*					
Shut-off approx. 3 sec. after door closes			ON					
Duration - 30 second alarm				OFF*	OFF*			
Duration - 180 second alarm				OFF	ON			
Duration - continuous alarm				ON	OFF			
Duration - 30 second annunciator mode				ON	ON			
Low battery detection on - Turn switch off						OFF*		
Low battery detection off - Turn switch on						ON		
Volume - high							ON*	
Volume - low							OFF	
Dry contact relay function → OFF								OFF*
Dry contact relay function → ON								ON

*default

NOTE: Disconnect all power sources before changing switch settings.

Warranty

Three year warranty or a one year limited warranty (from date of purchase) on most products. See website for details.

Electronic warranty form at www.sti-usa.com/wc14.

⚠ WARNING: This product can expose you to chemicals including Dichloromethane, which is known to the State of California to cause cancer, and Bisphenol A (BPA), which is known to the State of California to cause birth defects or other reproductive harm. For more information go to www.P65Warnings.ca.gov.



USA



Safety Technology International

2306 Airport Rd • Waterford, MI 48327, USA

Phone: 248-673-9898 • info@sti-usa.com • www.sti-usa.com

Taylor House • 34 Sherwood Road • Bromsgrove, Worcestershire • B60 3DR • England

Tel: +44 (0)1527 520 999 • info@sti-emea.com • www.sti-emea.com

Unit 7A • Lockhead Avenue • Airport Business Park • Waterford • X91 HWF2 • Ireland

info@sti-emea.com • www.sti-emea.com



EMEA

Subject to change without notice.

6400 QUICK INSTALL
March 2021