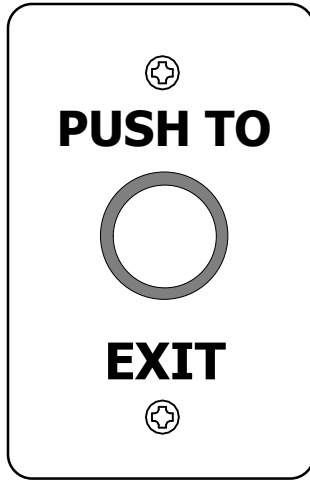


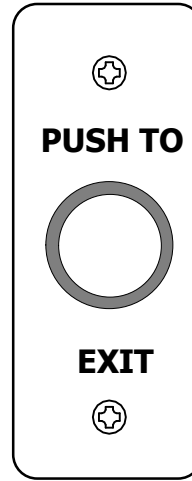


INSTALLATION INSTRUCTIONS

463 / 463N REQUEST-TO-EXIT SWITCH



463



463N

Specifications

Input Voltage Requirements:

- 12-24V AC/DC

Current Draw:

- Idle-30mA, Active-150mA

Output:

- 1 Dry Relay Contact, SPDT
- 1 Amp @ 30VDC (Resistive)

Relay Time:

- Adjustable – 1 to 40 seconds
or Toggle Mode – ON/OFF

Capacitive Switch

Operating Environment:

- -40° F to +160°F (-40° C to +70°C)

Dimensions:

- 463 – Standard
4.75" H x 3" W x 1.125" D
(120.65 x 76.20 x 28.58 mm)
- 463N – Narrow
4.75" H x 1.75" W x 1.125" D
(120.65 x 44.45 x 28.58 mm)

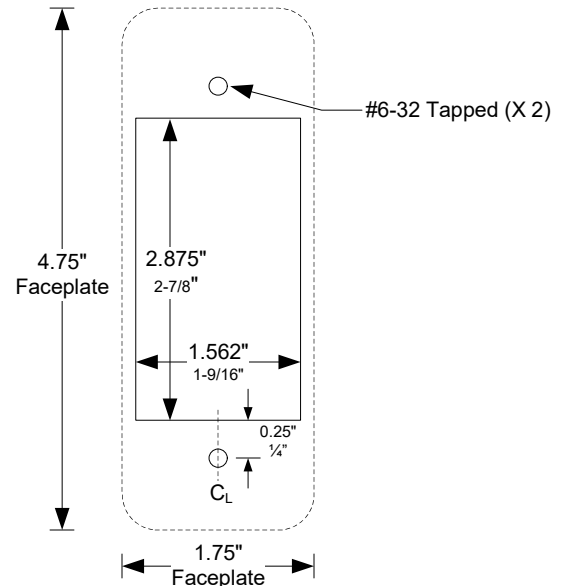
Mounting Method

463:

Mounts directly to a single gang switchbox.

463N: Mullion mount

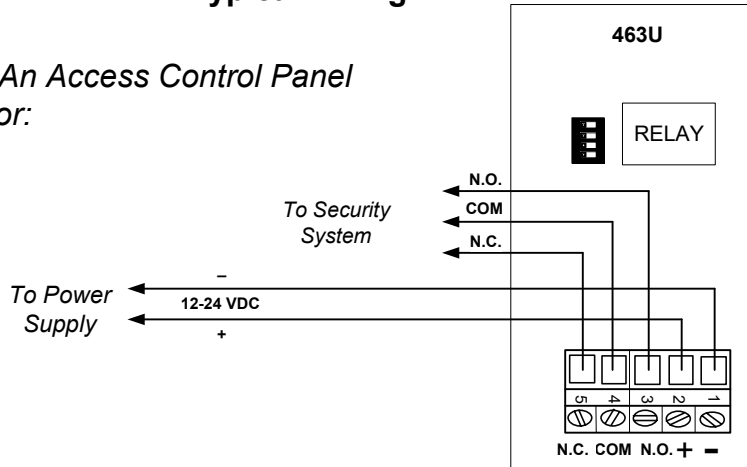
(See template below. Not to scale.)



Any suggestions or comments to this instruction or product are welcome. Please contact us through our website or email engineer@sdsecurity.com

Typical Wiring

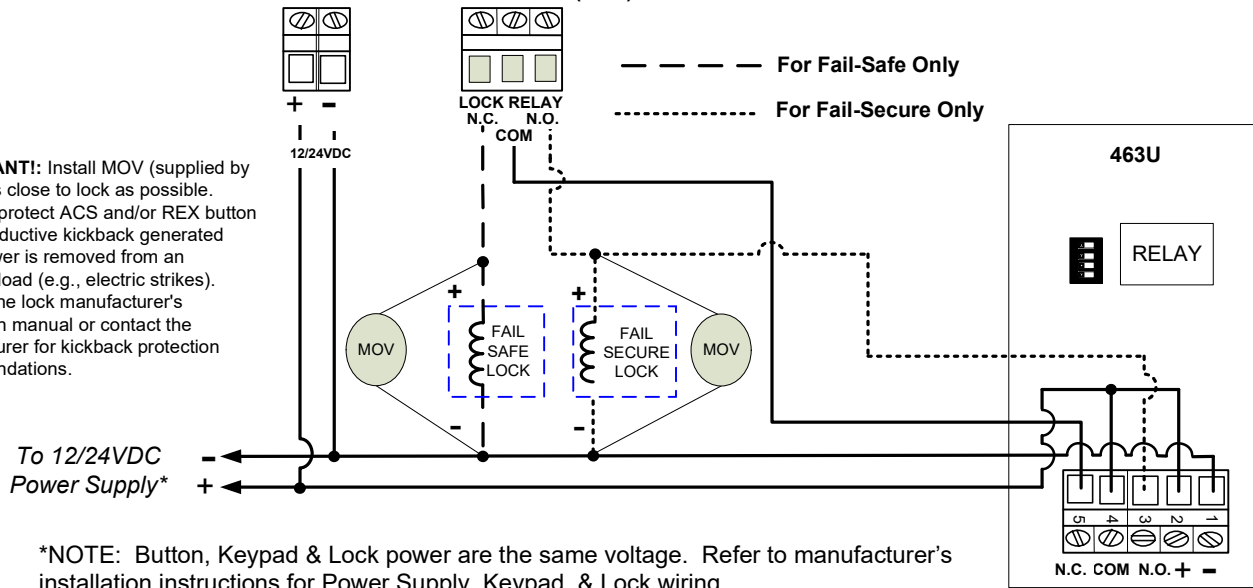
Connecting To An Access Control Panel or Door Operator:



Connecting To an Access Controlled Fail-Safe OR Fail-Secure Locking Device:

TYPICAL ACCESS CONTROL SYSTEM (ACS) KEYPAD

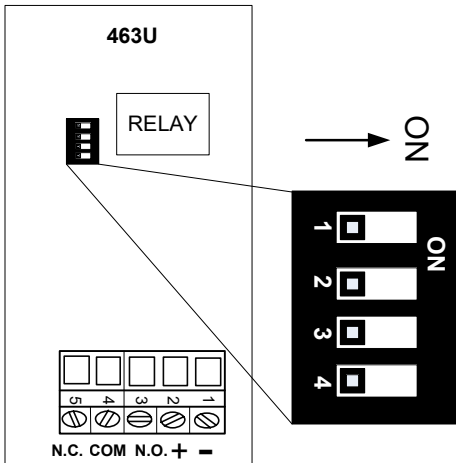
IMPORTANT! Install MOV (supplied by others) as close to lock as possible. MOV will protect ACS and/or REX button against inductive kickback generated when power is removed from an inductive load (e.g., electric strikes). Refer to the lock manufacturer's installation manual or contact the manufacturer for kickback protection recommendations.



*NOTE: Button, Keypad & Lock power are the same voltage. Refer to manufacturer's installation instructions for Power Supply, Keypad, & Lock wiring.

Programming

Use the DIP switches to adjust the Relay Activation Time or to reverse the Standby Illumination setting.



| Programming Feature | Dip Switch # | | | |
|------------------------|--------------|----|----|---|
| | 1 | 2 | 3 | 4 |
| 5 second unlock delay | ON | | | |
| 10 second unlock delay | | ON | | |
| 15 second unlock delay | ON | ON | | |
| 20 second unlock delay | | | ON | |
| 30 second unlock delay | ON | | ON | |
| 40 second unlock delay | | ON | ON | |
| Toggle ON/OFF | ON | ON | ON | |
| Standby Illumination | | | | * |

Relay Activation Time – Controlled by DIP switches #1, 2 & 3.
 Minimum Time (DIP switches 1, 2 & 3 are OFF) = 1 second
 Maximum Time (DIP switches 2 & 3 are ON) = 40 seconds

***Standby Illumination Status** – controlled by DIP switch #4.
 SW #4 OFF = Red (Idle); Flashing Green (Relay Active)
 SW #4 ON = Green (Idle); Flashing Red (Relay Active)