

4590

Deadlatch Paddle

The 4590 Deadlatch Paddle is an ergonomically-friendly alternative to a knob or lever handle. Operate with a simple push or pull.

Function

An alternative to knob or lever handles. Makes opening a latched door as natural as opening an unlatched one – just push or pull in the direction in which the door swings. Compatible with any Adams Rite 4300, 4500 or 4900 Series Deadlatch, MS+1890 Deadlock/Deadlatch, or 2190/2290 Interconnected Deadbolt/ Deadlatch.

Operation

Available in four configurations: push left, push right, pull left, and pull right.



Features

Paddle

Extruded aluminum.

Escutcheons

Zinc alloy with black finish. Secured to door stile with special binder posts that extend into the escutcheon to rigidly resist torque loads in any direction.

Cam Plug

Furnished for use with 4300, 4500 and 4900 Series Deadlatches. Cam plug not for use with MS+1890 Deadlock/Deadlatch or 2190/2290 Interconnected Deadbolt/ Deadlatch. Secured in latch body by cylinder set screw, plug is also rigidly tied to escutcheon by hardened steel pins.

Standard Package

Individually boxed with mounting hardware. Units for 4300, 4500 or 4900 Series Deadlatches include cam plug.

Shipping weight

1-1/2 lb [0.68 kg].

Options

- First dash number specifies operation, handing and compatible latch. If required, use second dash number to specify non-standard units for doors thicker than 1-3/4" [44.5 mm]. Please see configuration table or contact factory for more information.
- Available in choice of 313 Dark bronze anodized, 335 Black anodized, 628 Clear anodized.

ASSA ABLOY, the global leader
in door opening solutions

Copyright © 2018, Hanchett Entry Systems, Inc., an ASSA ABLOY Group company. All rights reserved. Reproduction in whole or in part without the express written permission of Hanchett Entry Systems, Inc. is prohibited.

Patent pending and/or patent assabloydss.com/patents

ARM-014-9/17

800.872.3267

800.232.7329

adamsrite.com

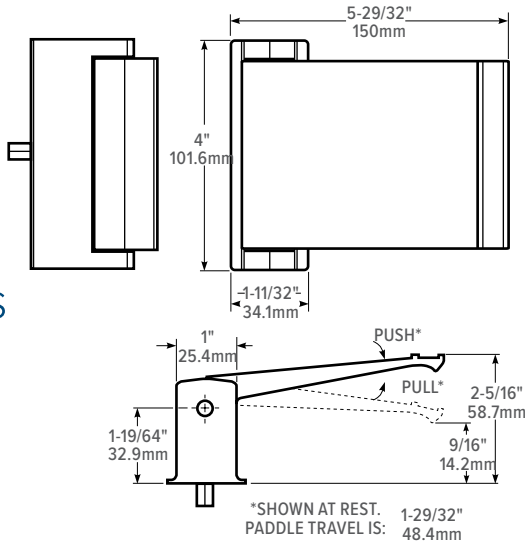
10027 S. 51st Street, Ste 102, Phoenix, Arizona 85044

Adams
Rite

ASSA ABLOY

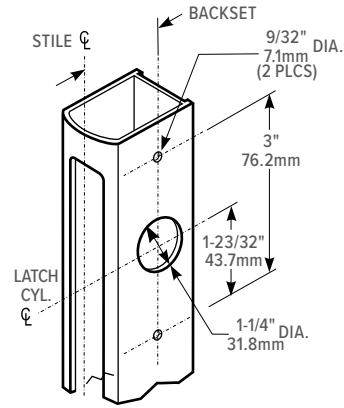
All measurements are approximate and are provided for informational purposes only. Refer to the product Installation Instructions.

Dimensions

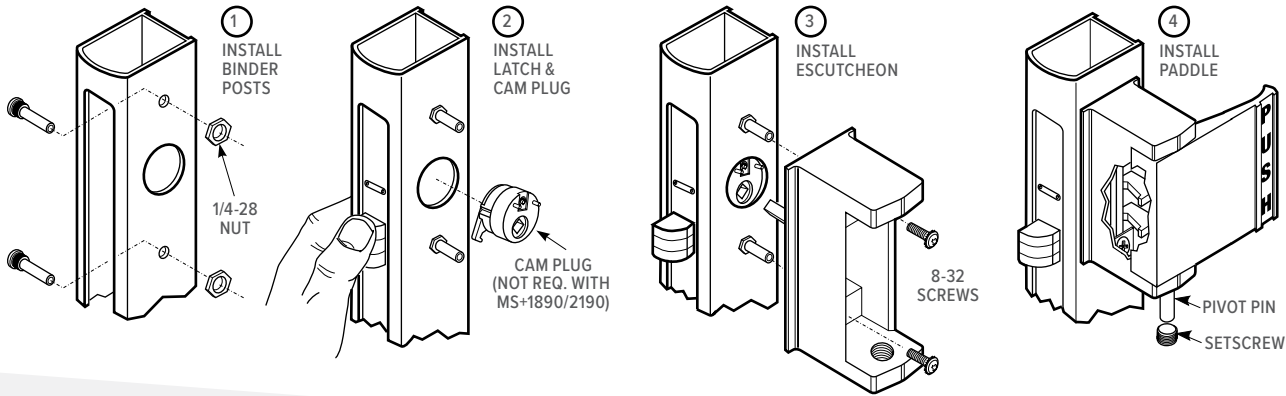


Stile Preparation

For 4500/4900 latches, see MS+1890/2190 for different hole pattern



Installation



How to Order & Compatible Products

4590 Deadlatch Paddle: Specify quantity and the following information. Order related products separately.

MODEL	OPERATION			DOOR THICKNESS		FINISH*
4590	02			-00		-313
	FIRST DASH FOR LATCH SERIES	OPERATION	USE	For 4300, 4500, 4900 Series Deadlatches	For MS+1890, 2190	313 Dark Bronze Anodized
-01	4300/4500/4900	PULL TO LEFT	Outside of left hand reverse door or inside of right hand	00	00	335 Black Anodized
-11	MS+1890/2190			01	01	628 Clear Anodized
-02	4300/4500/4900	PUSH TO LEFT	Outside of left hand door or inside of right hand reverse	02	02	
-12	MS+1890/2190			03	03	
-03	4300/4500/4900	PULL TO RIGHT	Outside of right hand reverse door or inside of left hand	04		
-13	MS+1890/2190					
-04	4300/4500/4900	PUSH TO RIGHT	Outside of right hand door or inside of left hand reverse			
-14	MS+1890/2190					
	LH		RH			
	-03 OR -13		-01 OR -11			
	-02 OR -12		-04 OR -14			
	-04 OR -14		-02 OR -12			
	LHR		RHR			
	-01 OR -11		-03 OR -13			

*Finish applied to paddle assembly only, not escutcheon.

COMPATIBLE

DEADLOCKS	DEADLATCHES
MS+1890 Deadlock/Latch, 2190 Series Interconnected Deadbolt/Deadlatch	4300 Electrified Deadlatches, 4510, 4530, 4900, 4920AN Series Deadlatches.