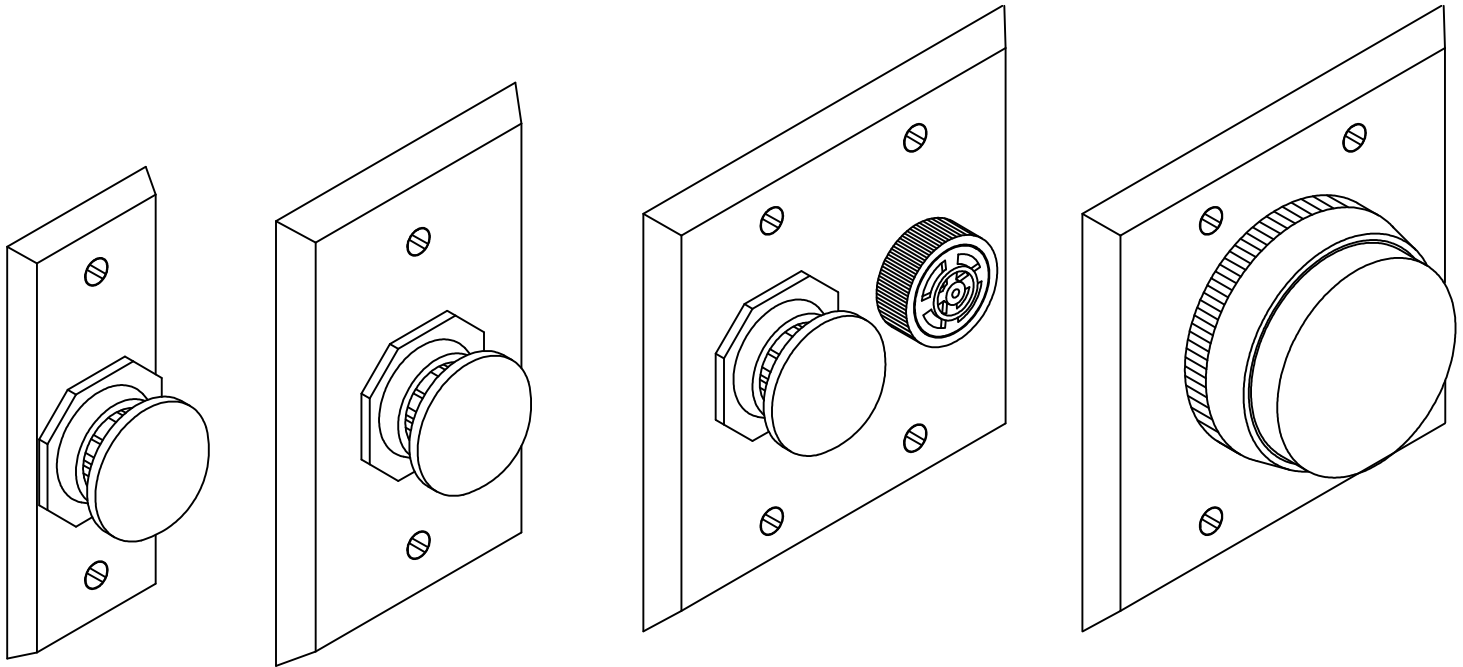


# SDC Security Door Controls

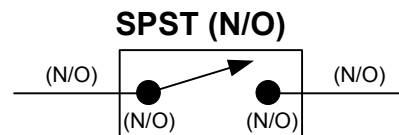
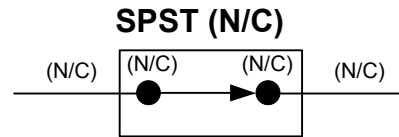
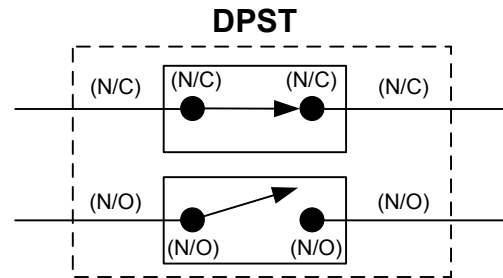
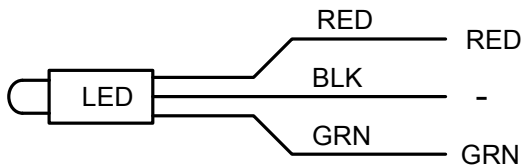
801 Avenida Acaso, Camarillo, Ca. 93012 • (805) 494-0622 •  
 www.sdcsecurity.com • E-mail: service@sdsecurity.com

## INSTALLATION INSTRUCTIONS MODELS 431 – 446 MUSHROOM PUSH SWITCH



### Electrical Specifications

Contact Type: SPST or DPST (Form C)  
 Contact Ratings: 30VDC @ 5 AMPS  
 (Resistive)



Any suggestions or comments to this instruction or product are welcome. Please contact us through our website or email engineer@sdsecurity.com