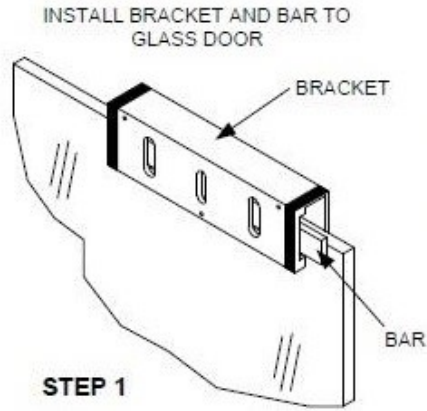


INSTALLATION INSTRUCTIONS

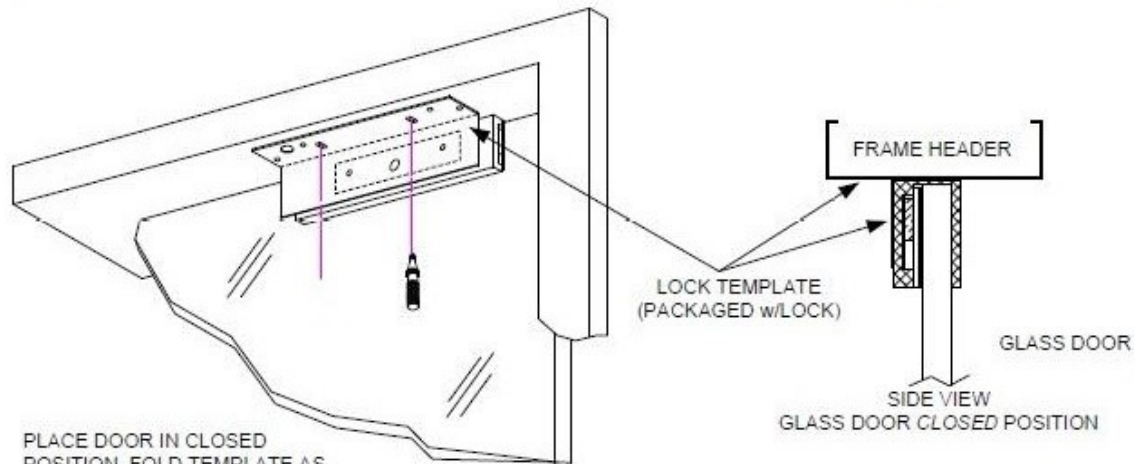
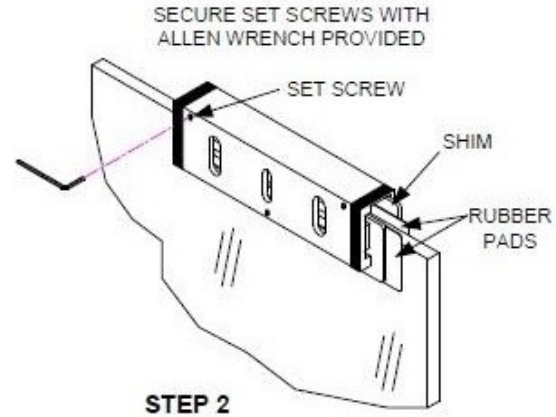
HDB 350/352 HERCULITE GLASS DOOR BRACKET



FOR 1/2" GLASS DOORS:
PLACE RUBBER PAD &
10GA. SHIM BOTH SIDES.

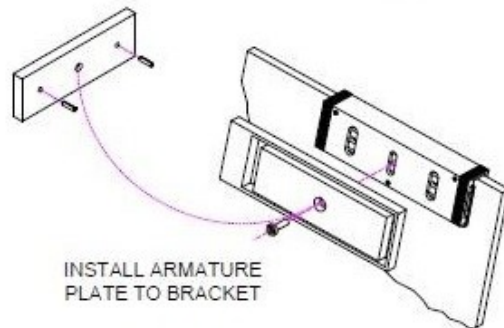
FOR 5/8" GLASS DOORS:
PLACE RUBBER PAD BOTH
SIDES & 10 GA. SHIM ONE
SIDE ONLY.

FOR 3/8" GLASS DOORS:
PLACE RUBBER PAD BOTH
SIDES & 18 GA. SHIM ONE
SIDE ONLY.



PLACE DOOR IN CLOSED POSITION, FOLD TEMPLATE AS INDICATED BY DOTTED LINE AND PLACE TEMPLATE AGAINST FRAME HEADER AND BRACKET THEN MARK AND DRILL AS INDICATED.

STEP 3



USING BAR (SEE STEP 1) ADJUST ARMATURE PLATE AS NEEDED FOR PROPER ALIGNMENT BETWEEN ARMATURE PLATE AND EMLOCK SURFACE.

