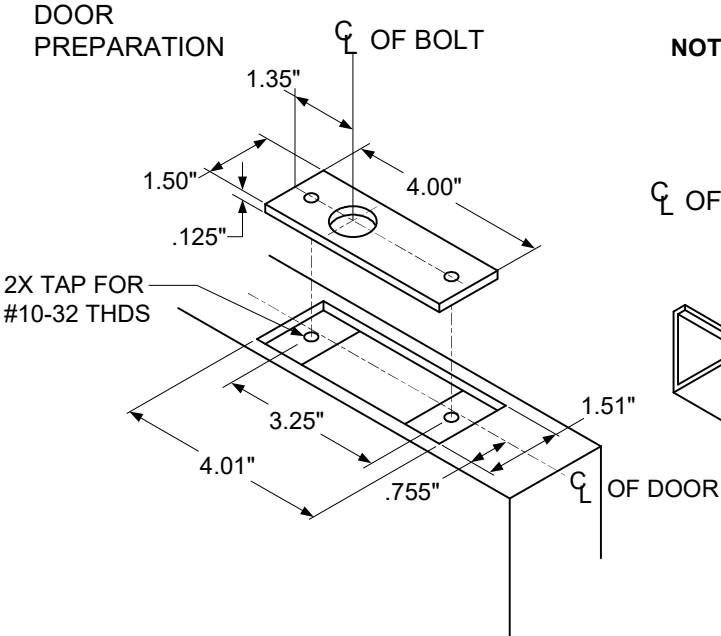


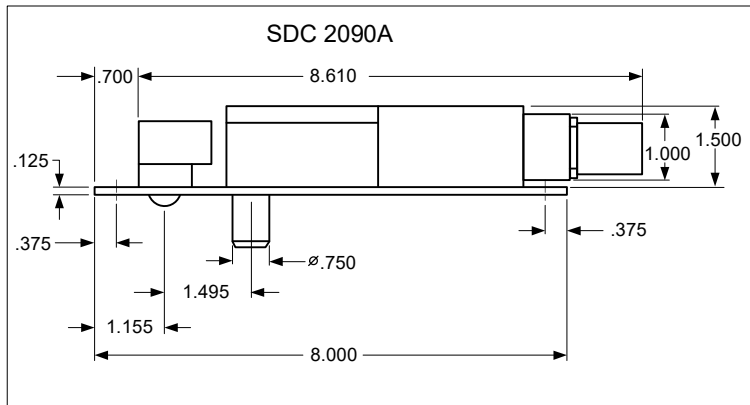
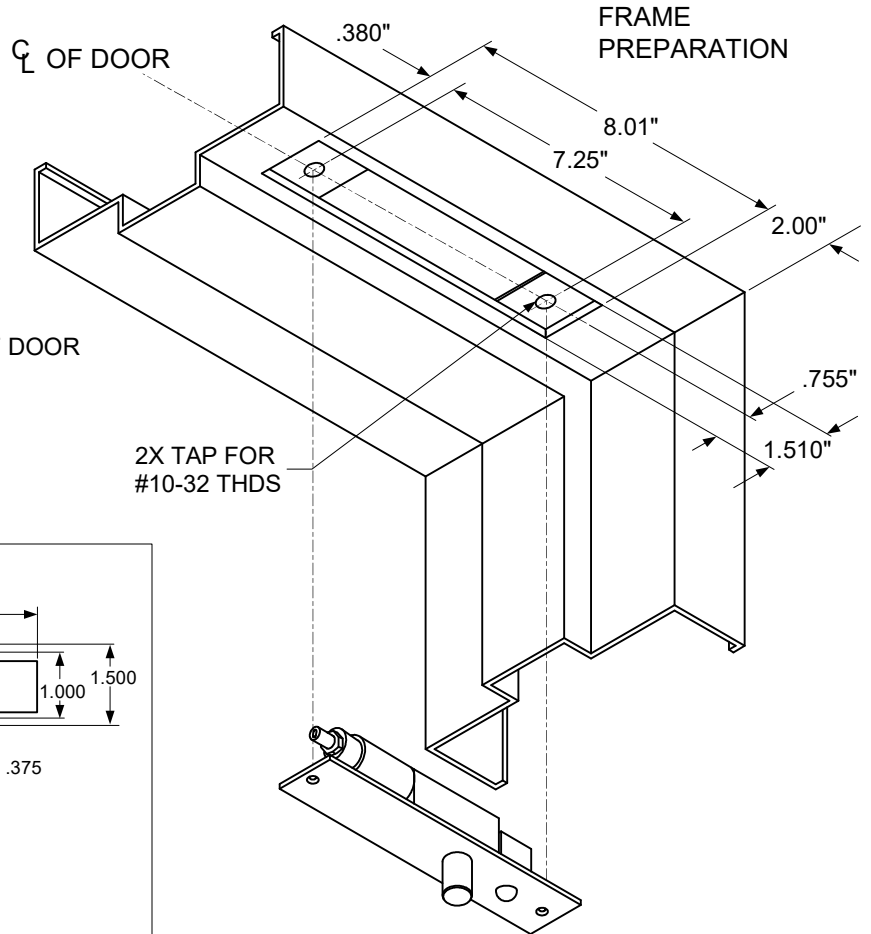


INSTALLATION INSTRUCTIONS

2090A HEAVY DUTY CONCEALED MORTISE BOLT LOCK DIMENSIONAL TEMPLATE



NOTE: TEMPLATE DIMENSIONS ARE SUBJECT TO CHANGE WITHOUT NOTICE.



TECHNICAL DATA (FOR STANDARD UNIT)

- FACE PLATE:** 8" x 1-1/2" X 1/8"
- STRIKE:** 4" x 1-1/2" x 1/8"
- ID REQUIREMENTS:** 10" x 1-1/2" x 1-1/2"
- BOLT:** 3/4" DIA. SOLID STAINLESS STEEL
- BOLT THROW:** 3/4"
- SOLENOID:** CONTINUOUS DUTY
- PR-1000 MODULE:** 3-3/4" X 1-1/4" X 1/2" (Required when mounted in frame)