

MC-HCL1 key in lever Hotel Cylindrical Lock.

Directly replace cylindrical locks without major modifications. Very simple to retrofit!



☒ **Two unlock methods: Smart Card and Mechanical Override Key**



Smart Card



Mechanical key


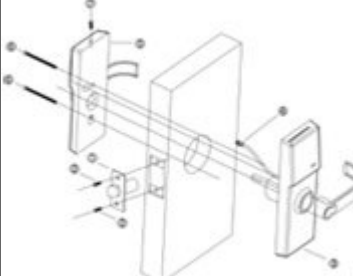

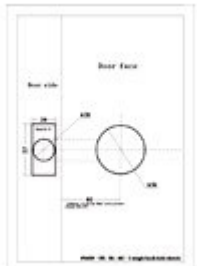
To order call toll free 866-500-5625

- ✚ Door thickness request is 1 3/4". Optional door thickness with special order available.
- ✚ Latch is built to international standards. Two backset choices: 2 3/8" or 2 3/4" - Field Selectable.
- ✚ Install fast without drilling or cutting. There is little to no effect on the daily business of hotel.
- ✚ After the door is closed, the dead latch behind the tongue of the latch locks the tongue automatically after pigeonholing. This prevents unauthorized entry from exterior. Additional door latch protection available to protect latch in harsh environments.
- ✚ Free rotating handle, prolongs lever mechanism life and also helps prevent unauthorized entry and damage from vandalism.
- ✚ The electronics are no longer housed in the mortise body. This will save extra maintenance work.
- ✚ Inserting card automatically seals the dustproof wall, dust and debris can not enter to damage electronics, this is leading edge technology.

When installing , no need for cutting extra holes the door, just remove the old knob door lock , then you can install the new lock within a few minutes. NO major modifications to door required!

Additional features:

1. Auto-prevents dust from entering into lock.
2. Smart Card is Germany Siemens encrypted card with high security and durability. Can be used repeatedly for 100,000 times and picked up 256 records.
3. Pure stainless steel mechanical rotating structure enable for using more than 10 years.
4. The installation is extremely simple, the front lock body, the dead latch, and the back lock body three parts are very easy to retrofit.
5. It is very easy to change batteries in the lock. **4AA batteries required.**

Dead Latch	Installation Schematic	Dimensions in mm	Hole Sketch in mm
			

To order call toll free 866-500-5625