

ACP-4T

Cobra Controls™

4 door TCP/IP Access Control Panel:

4 doors / 4 doors in or 4 doors out (Use ACP-2T for 2 doors in and out each door)

Features:

- Stand-alone (with 128k Memory) or online with PC (TCP/IP)
- Includes Cobra's .NET access control management software (No extra cost)
- Unlimited expansion of control panels and doors on same system
- (4) relay outputs for door control
- **12VDC 3AMP Linear Power Supply in locking metal enclosure with outputs for control panel and electronic locks included**
- Individual request to exit RTE inputs for each door
- Individual door sensor/monitoring inputs for each door
- Optional ACP-1x4 1 emergency unlock input, 4 output module independent relays with adjustable settings. Input is emergency interface programmed to unlock all doors upon signal. 4 outputs are individually programmable in software for monitoring duress, invalid card reads, door propped, and door forced events.
- Anti-pass back capabilities: inA/outB; inC/outD; inAorC/outBorD; inA/outBorC; inA/outB,C,orD
- Interlocking feature built in. Easily programmable in software for 2,3,or all 4 doors.
- **Industry standard 26 bit Wiegand** interface to work with any combination of Card readers, keypads, fingerprint reader, bar-code reader, etc with Wiegand output.
- Real time monitoring through software for alarms, duress, invalid card reads, door propped, and door forced events.
- Storage capacity: 20,000 users and 100,000 events



The Cobra Controls 4 Door Controller is designed for today's access control needs within an IT environment. TCP/IP capability is included in all of the ACP-T series controllers. Cobra's controllers use NON PROPRIETARY readers and inputs based on the industry standard Wiegand format. With our Cobra .NET based software you can connect an unlimited number of 1, 2, and 4 door controllers to one system. The controllers automatically adjust bandwidth consumption based on demand of the existing network.

Each ACP-T series control panel is capable of expansion of 1 emergency unlock input and 4 outputs fully programmable within the Cobra .NET access control software suite via the optional ACP-1x4 Expander Module. These are in addition to the included request to exit inputs and door status monitor inputs on each of the ACP series control panels - one for each door on the control panel.

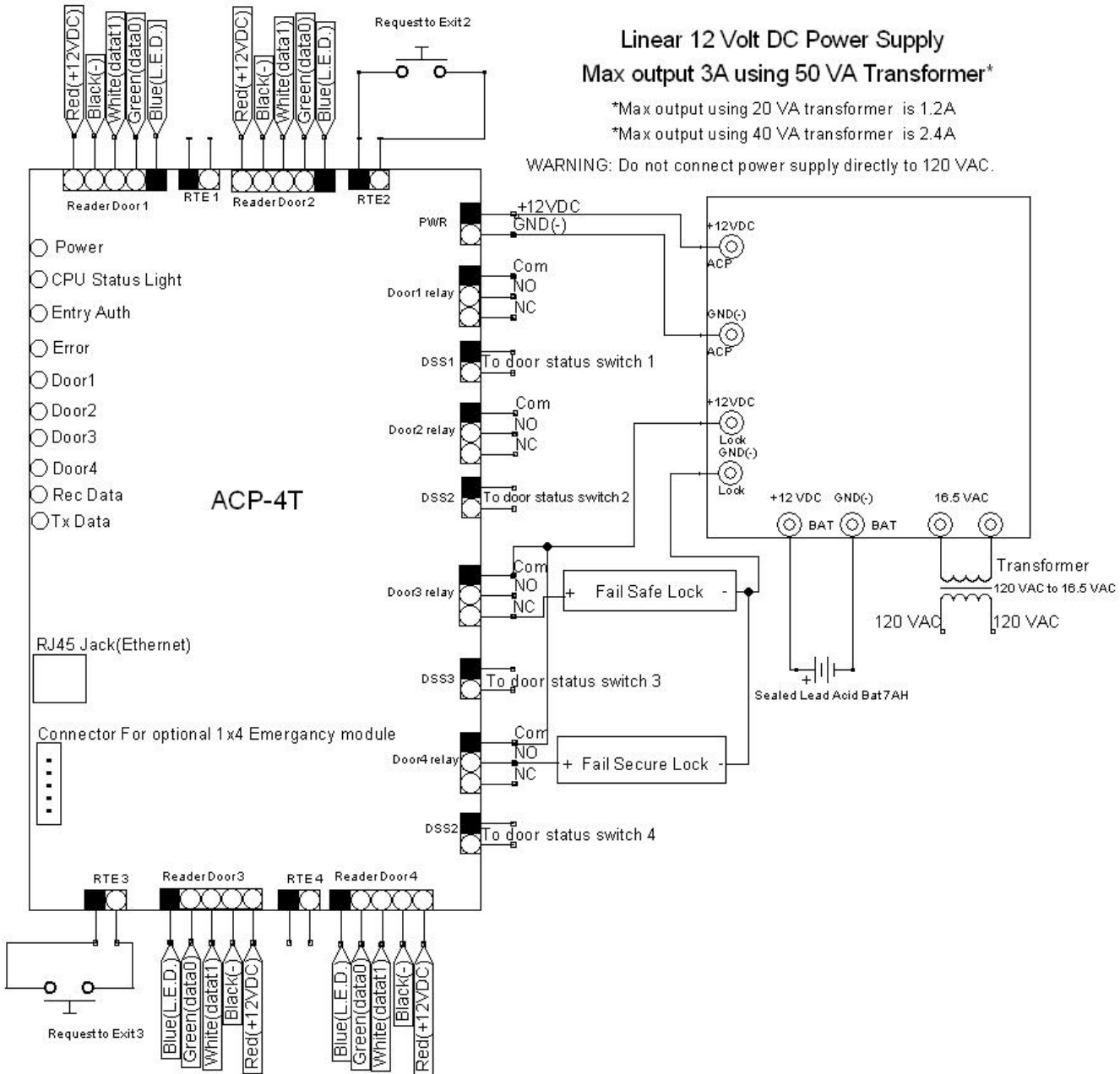


1600 Riverfront Center • Amsterdam, NY • 12010
ph: 518-212-5329 fax: 518-843-3399
www.cobracontrols.com

ACP-4T 4 door TCP/IP Access Control Panel

ACP-4T

Circuit board layout with power supply outputs. (Power supply and locking metal enclosure included)



ACP-4T 4 door TCP/IP Access Control Panel



1600 Riverfront Center • Amsterdam, NY • 12010
 ph: 518-212-5329 fax: 518-843-3399
 www.cobracontrols.com